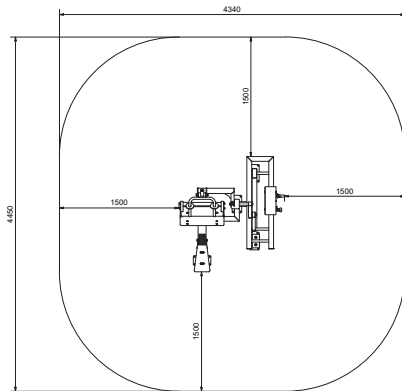
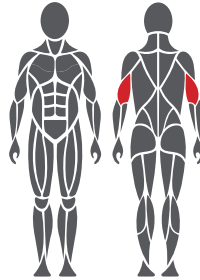


Use and movement areas



Target muscles



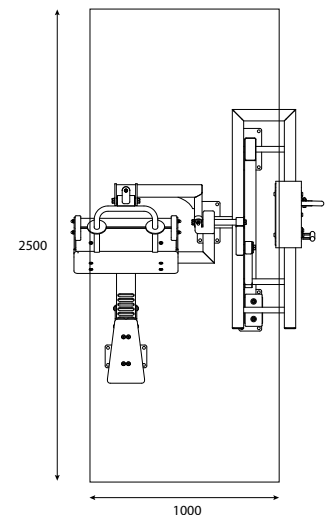
Foundation



1. For example artificial turf or moldable safety platform max. 20 mm
2. Concrete min. 120 mm below equipments
3. Ground frost insulation, thickness based on the ground

Concrete casting and positioning

- Length 2500 mm
- Width 1000 mm
- Thickness 200 mm
- Ground frost insulation
- Rebaring
- Adequate drying time must be ensured



Product specification

Length	1450 mm
Width	1310 mm
Height	1210 mm
Equipment weight	190 kg
User height	+ 140 cm
Age	+ 14
Safety area	17,4 m ²
Base	surface mounting to concrete
Standard	EN16630
Country of manufacture	Finland
Metal parts	Steel
Movement arm	Stainless steel
Tube strengths	3-6 mm
Coating solution	Zink and powder coating electropolishing

Details

- Effective and safe exercise equipment
- Maintenance-free and stainless steel ball bearing
- 5-50 kg (1 x weight unit)
- The product comes as standard in RAL Classic colours 5012 (blue), 1017 (yellow), 3020 (red), 6018 (green) or 7024 (grey). Other RAL colors are available at an additional cost.
- Can be installed on a movable platform

Important

Installation depth for all Omnigym® units: top surface of the concrete base on the ground level or max. -20 mm allowance for the surface material to be used. (See foundation figure)