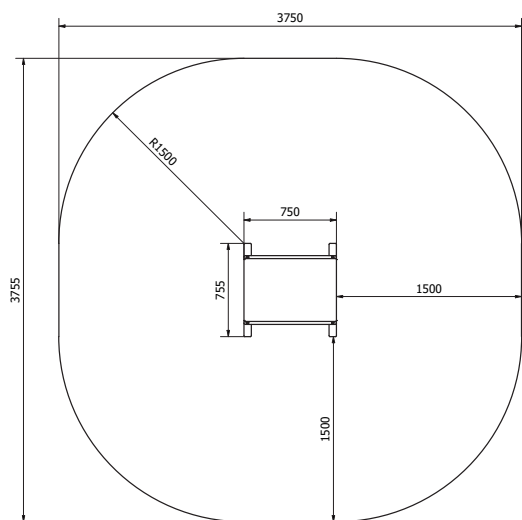


Use and movement areas



Product



Product specification

Length	755 mm
Width	750 mm
Height	300-1000 mm
Base	surface mounting
Standard	EN16630
Country of manufacture	Finland
Metal parts	steel
Coating solution	Zink and powder coating
Use and movement areas	12,2m ²

Details

- Available in five heights:
 OGPB300 300mm,
 OGPB450 450mm,
 OGPB600 600mm,
 OGPB750 750mm,
 OGPB1000 1000mm