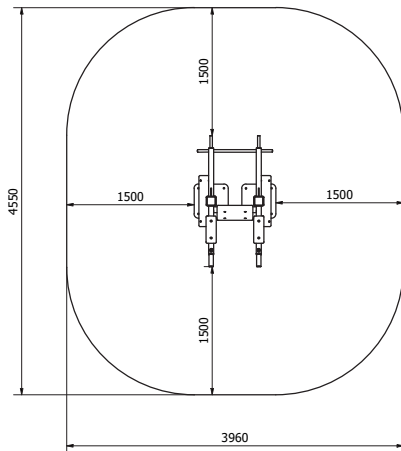
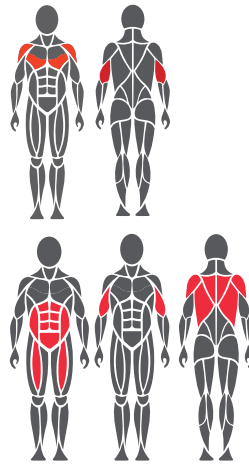


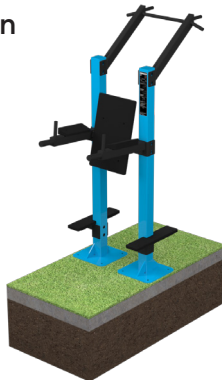
## Use and movement areas



## Target muscles



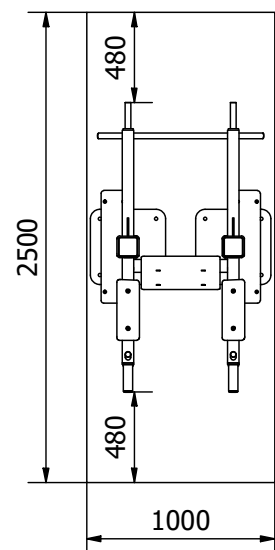
## Foundation



1. For example artificial turf or moldable safety platform max. 20 mm
2. Concrete min. 120 mm below equipments
3. Ground frost insulation, thickness based on the ground

## Concrete casting and positioning

- Length 2500 mm  
 Width 1000 mm  
 Thickness 120-150 mm
- Ground frost insulation
  - Rebaring
  - Adequate drying time must be ensured



## Product specification

Length	1540 mm
Width	960 mm
Height	2335 mm
Equipment weight	167 kg
User height	+ 140 cm
Age	+ 14
Safety area	16 m <sup>2</sup>
Base	surface mounting to concrete
Standard	EN16630
Country of manufacture	Finland
Metal parts	Steel
Tube strengths	3-6 mm
Coating solution	Zink and powder coating

## Details

- Effective and safe exercise equipment
- The product comes as standard in RAL Classic colours 5012 (blue), 1017 (yellow), 3020 (red), 6018 (green) or 7024 (grey). Other RAL colors are available at an additional cost.

## Important

Installation depth for all Omnigym® units: top surface of the concrete base on the ground level or max. -20 mm allowance for the surface material to be used. (See foundation figure)

Max. free fall height 1260 mm. A value specified according to certain rules, where shock absorbing equivalent to the value is required from the surface of the equipment.