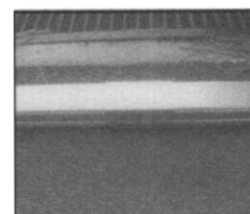
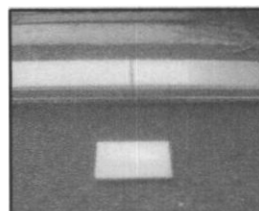
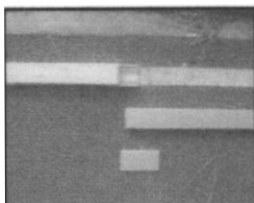


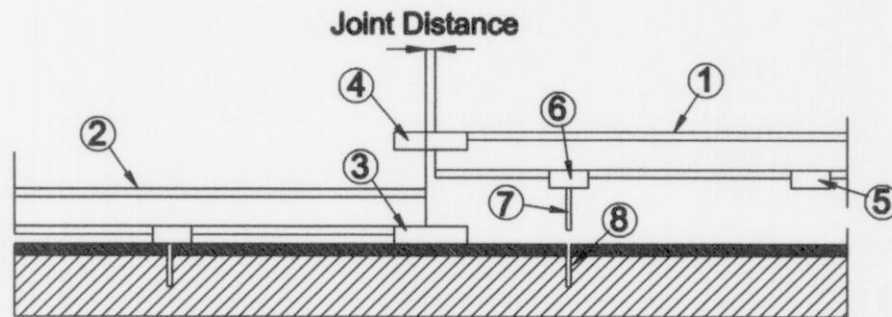
Aluminum Curbing
Order No.30960 (IAAF Cert : E-07-0491)

Installation Instruction



Aluminum Curbing Order No.30960 (IAAF Cert : E-07-0491)

Installation Instruction



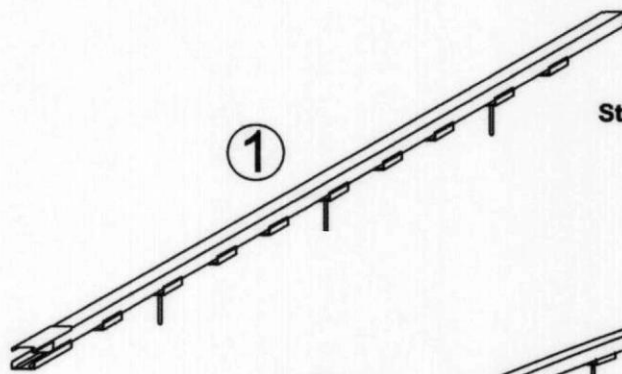
Picture number	Piece	Description
1	1	aluminium curbing 5 m straight
2	1	aluminium curbing 5 m curved
3	1	curbing connection
4	1	top cover
5	6	curbing holder, non drilled 6 mm
6	3	curbing holder, drilled 6 mm
7	3	stainless steel screws
8	3	socket

Installation temperatur		Distance between join at which can be expected temperatures of			
°F	°C	86°F 30°C	104°F 40°C	122°F 50°C	140°F 60°C
32	0	1,5 mm	2,0 mm	2,5 mm	3,0 mm
50	10	1,0 mm	1,5 mm	2,0 mm	2,5 mm
68	20	0,0 mm	1,0 mm	1,5 mm	2,0 mm
86	30	0,0 mm	0,5 mm	1,0 mm	1,5 mm
104	40	0,0 mm	0,0 mm	0,5 mm	1,0 mm
122	50	0,0 mm	0,0 mm	0,0 mm	0,5 mm
140	60	0,0 mm	0,0 mm	0,0 mm	0,0 mm

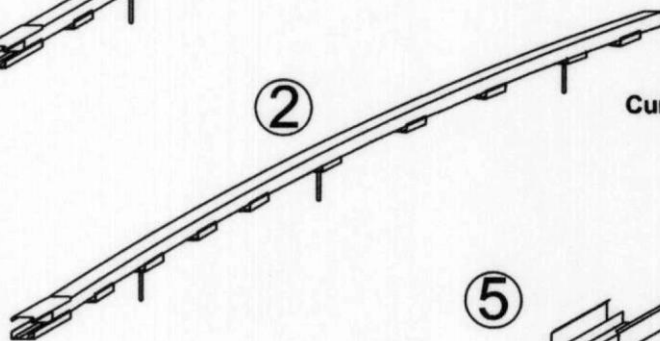
Aluminum Curbing

Order No.30960 (IAAF Cert : E-07-0491)

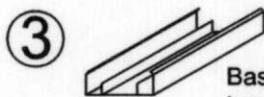
Installation Instruction



1 Straight Position = 34 Pc's (5.00 M)



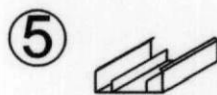
2 Curve Position = 46 Pc's (5.00 M)



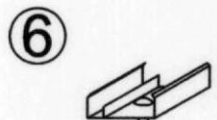
3 Base Cover (Long)
Length : 120 mm
Quantity 85 Pieces



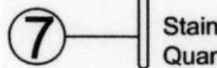
4 Top Cover
Length : 120 mm
Quantity 85 Pieces



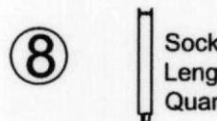
5 Base Cover (Without Hole)
Length : 60 mm
Quantity 500 Pieces



6 Base Cover (With Hole Ø7 mm)
Length : 60 mm
Quantity 250 Pieces



7 Stainless Steel Screw M6 x 60 mm
Quantity 250 Pieces



8 Socket For Screw (Aluminum)
Length : 100 mm
Quantity 250 Pieces