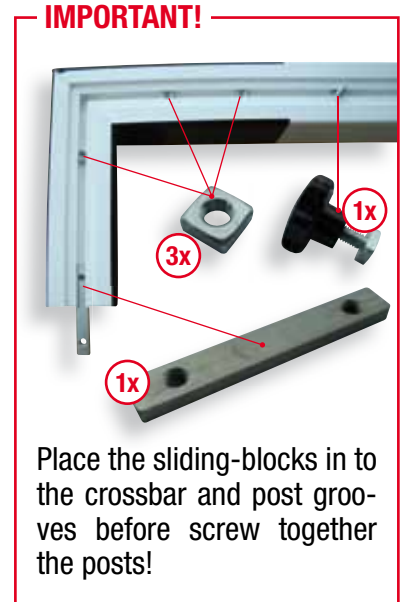
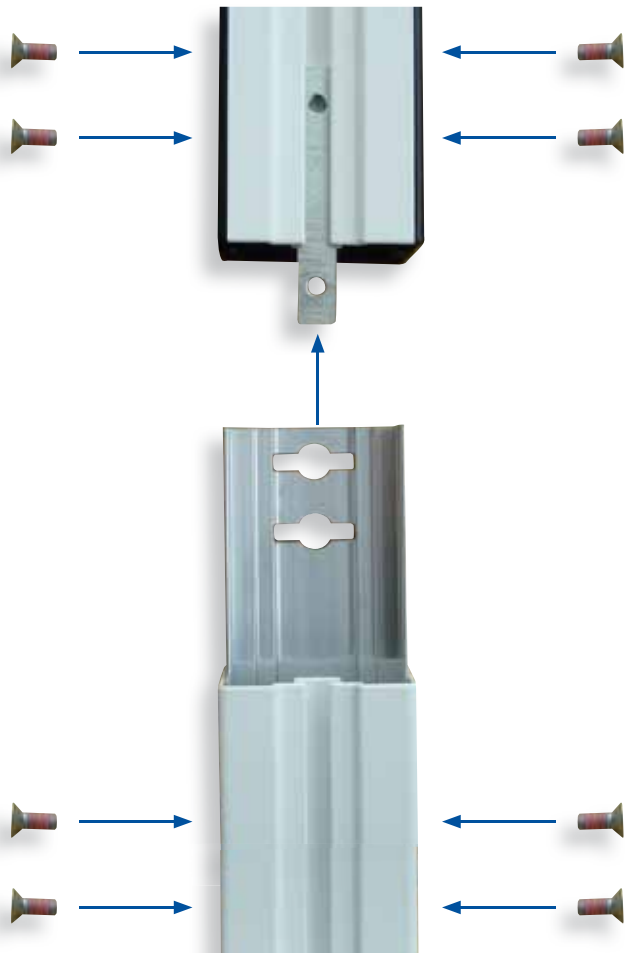
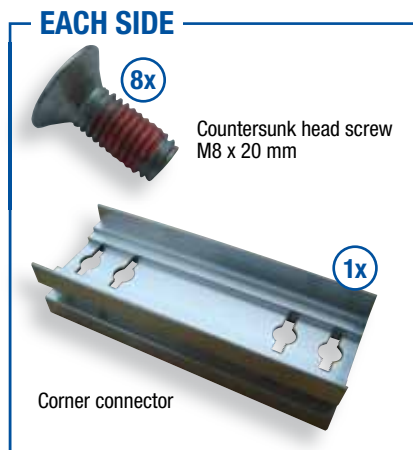




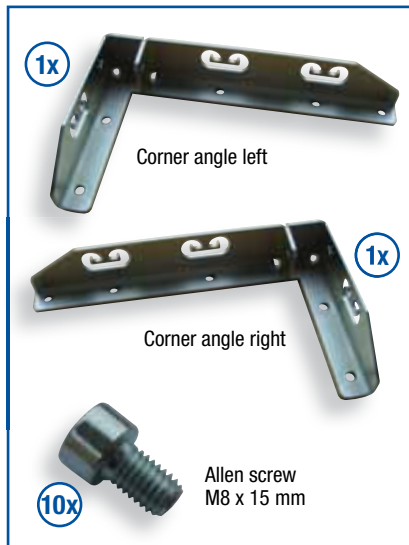
- ① Place the posts and the horizontal crossbar with the nut facing up on the floor, now put the sliding-blocks in to the groove of the posts and crossbar. **IMPORTANT!** Also put in the sliding block-screw!



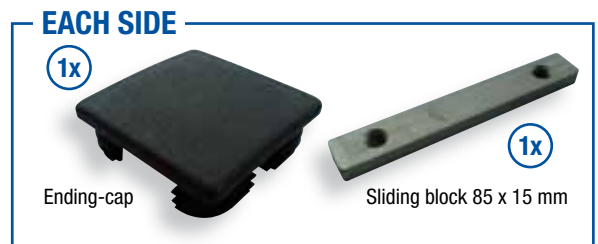
- ② Now slide the corner connectors in to the goal profile and screw it together with the M8 x 20mm countersunk head screws.



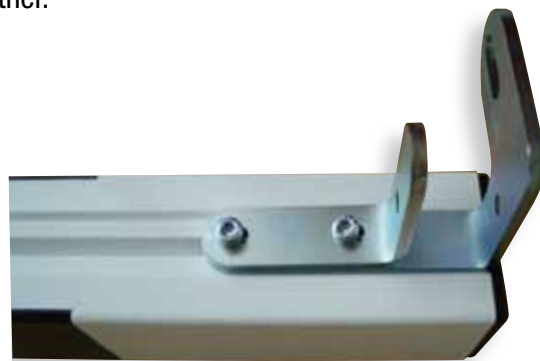
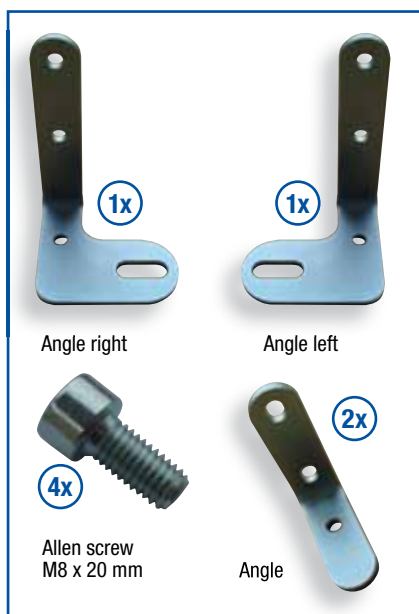
- 3 Place the angle, which is for the fixation of the net supporter, in to the nut and screw it together with the sliding blocks.



- 4 Slide the sliding blocks 85 mm x 15 mm in to the post from the bottom. At detached goals close the bottom side of the post with the ending-caps.



- 5 Now lay on the angles and screw them together.



IMPORTANT!

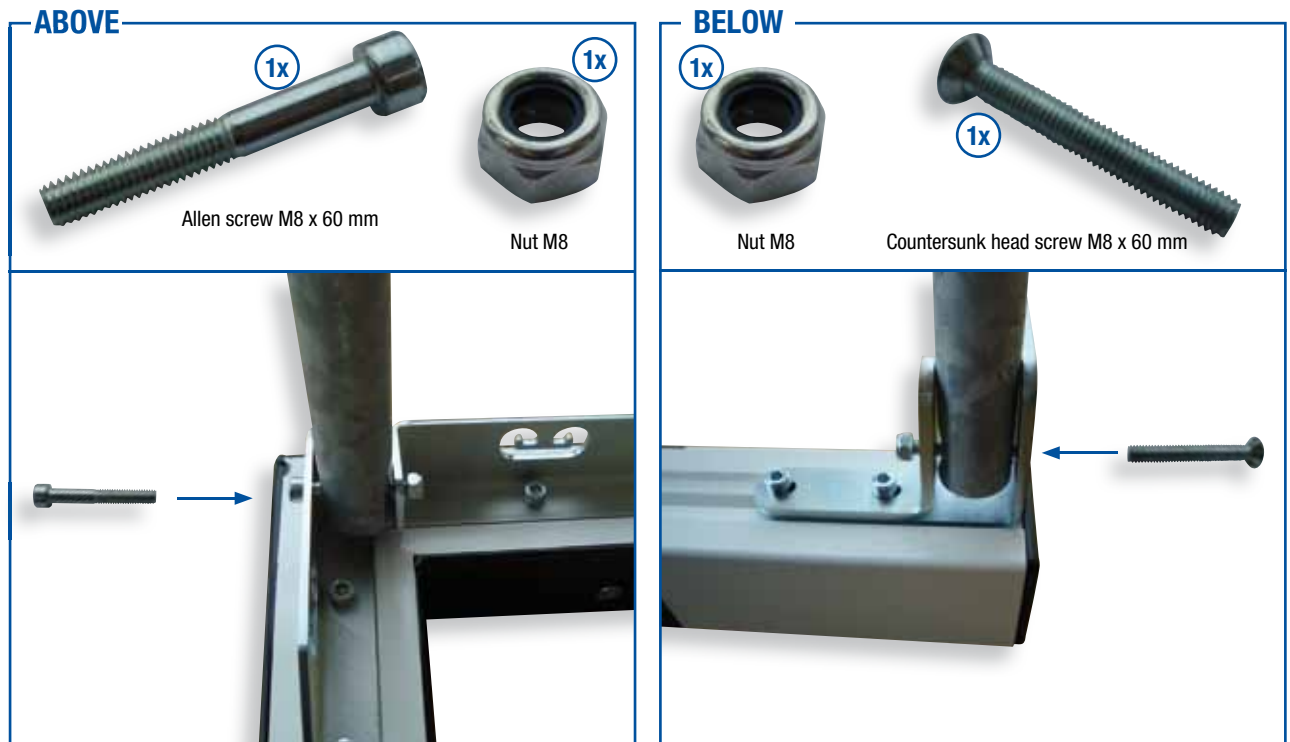
While screw together have a look that the angles for the floor fixation do not look into the goal!



- ⑥ Now the net supporters will be screwed on to the goal frame. But before place the net-rings on the net supporters. 5 net-rings at the floor side.



EACH SIDE



IMPORTANT!

Do not screw the net supporters too strong on to the goal frame! The folding-function could be affected

7 Now together the cross-connectors from the net supporters to the crossbar.



8 Finally screw the floor tube on the net supporters. Before screw it together put on the net-rings.

