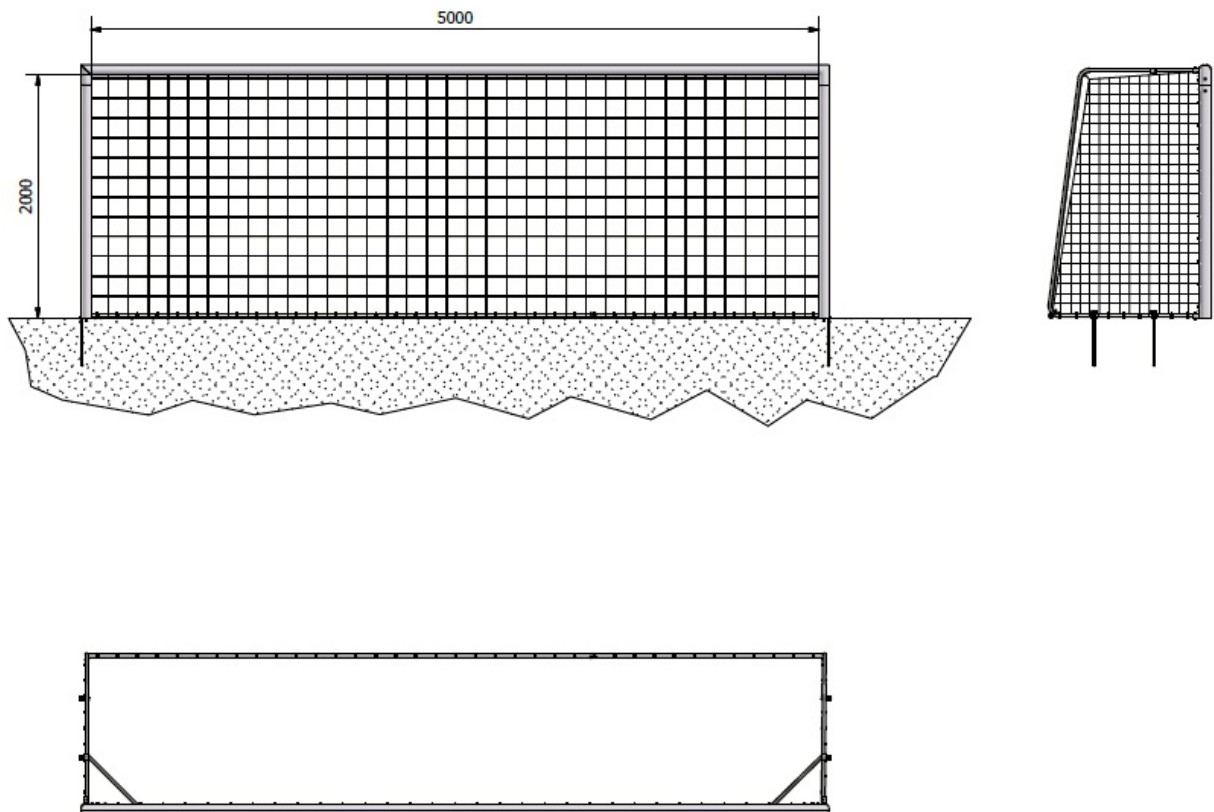


INSTRUCTIONS FOR INSTALLATION AND USE

FOOTBALL GOAL 5x2m TYPE 3 (PORTABLE) ALUMINIUM IN ACCORDANCE WITH EN 748 STANDARD

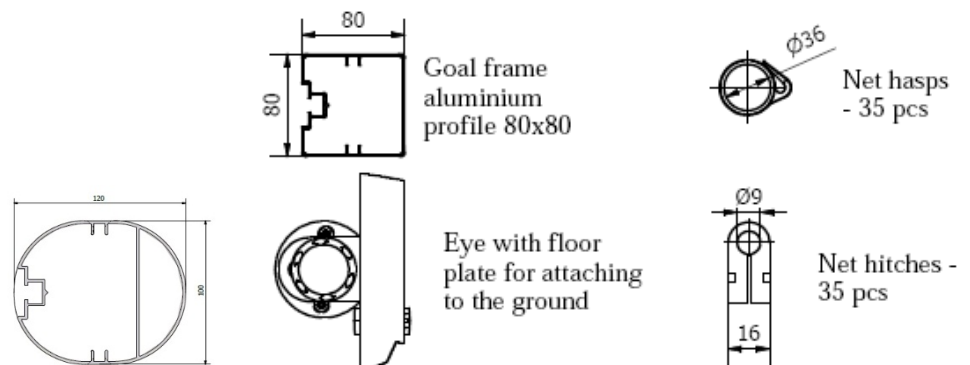


List of components for handball goal

No.	Item name	Q-ty for 1 goal	Q-ty for 2 goals
1.	Goal crossbar	1 pc	2 pcs
2.	Goal post	2 pcs	4 pcs
3.	Connector to the crossbar and post	2 pcs	4 pcs
4.	C-shaped back rail, powder coated	2 pcs	4 pcs
5.	Straight horizontal tube 5 m long, powder coated	1 pc	2 pc
6.	Mushroom head lock screw M8x90	2 pcs	4 pcs
7.	Butterfly nut M8	2 pcs	4 pcs
8.	Net hasp- grey / white	45 pcs	90 pcs
9.	Net hitch - grey /white	50 pcs	100 pcs
10.	M12 Rubber Screw	4 pcs	8 pcs
11.	Gound plate	4 pcs	8 pcs
12.	Upper strut (1 left + 1 right)	2 pcs	4 pcs
13.	Upper hinge prolate (1 left + 1 right)	2 pcs	4 pcs
14.	Bottom hinge (1 left + 1 right)	2 pcs	4 pcs
15.	Combination spanner wrench, flat-13	1 pc	1 pc
16.	Allen wrench	2 pcs	2 pcs
17.	Allen screw M8x20	8 pcs	16 pcs
18.	Profile plug	2 pcs	4 pcs
19.	Goal net	1 pc	2 pcs
20.	Rubber spacer	2 pcs	4 pcs
21.	Allen screw M8x16	10 pcs	20 pcs
22.	Allen screw M8x20	4 pcs	8 pcs
23.	Allen screw M8x55	4 pcs	8 pcs
24.	Allen screw M8x60	2 pcs	4 pcs
25.	Square nut M8	14 pcs	28 pcs
26.	Self-locking nut M8	6 pcs	12 pcs
27.	Quadratic screw M8x20	2 pcs	4 pcs
28.	Knob with internat screw M8	2 pcs	4 pcs
29.	Binding lath upper strut "55"	2 pcs	4 pcs
30.	Binding lath bottom strut "70"	2 pcs	4 pcs

II. Product overview

Football goal (5,0 x2,0 m) – TYPE 3 (mounted on plates in sports halls or by mounting pins to a grass surface). Aluminium profile, reinforced - ribbed, oval 100x120 mm (H6855/H6856) or square 80x80 mm (H6857/H6858). This goal is removable, twisted frame and folded rails allow easy transport and storage. Depth: top 120 cm, bottom 150 cm. Goal frame is double powder-coated in white (RAL 9003). The back of the goal is hot-galvanized steel (corrosion protection). Goal complies with **EN 749**.



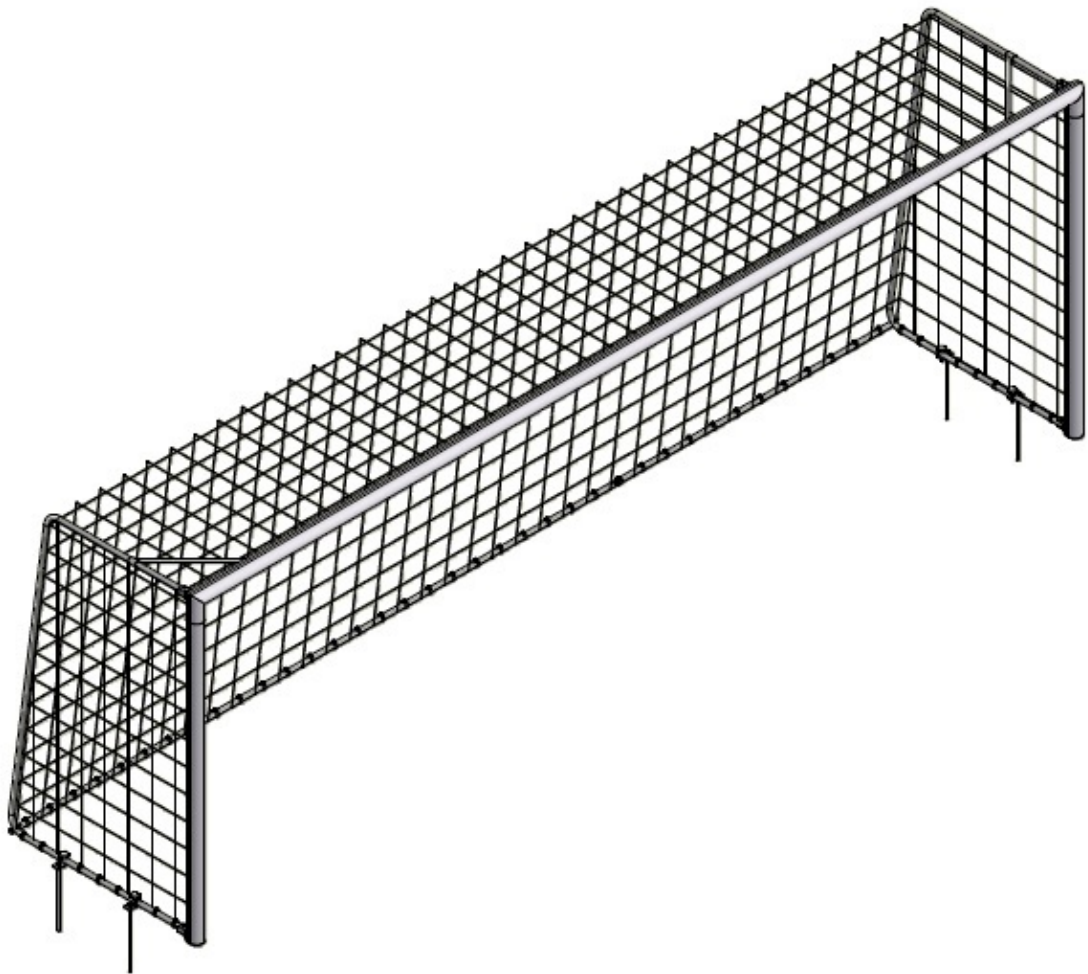
III. Purpose

Goal is intended solely for football and indoor football (futsal) on open fields or in sports halls.

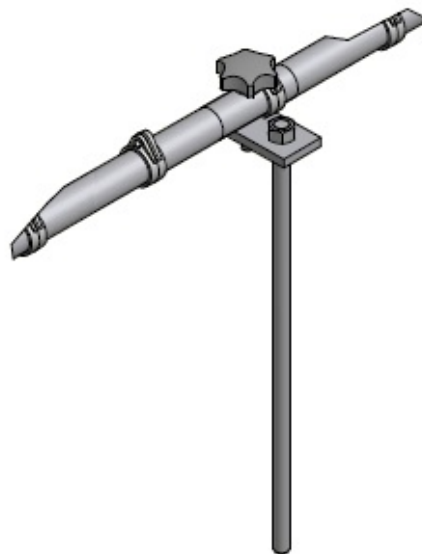
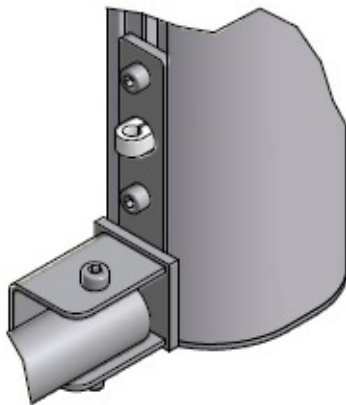
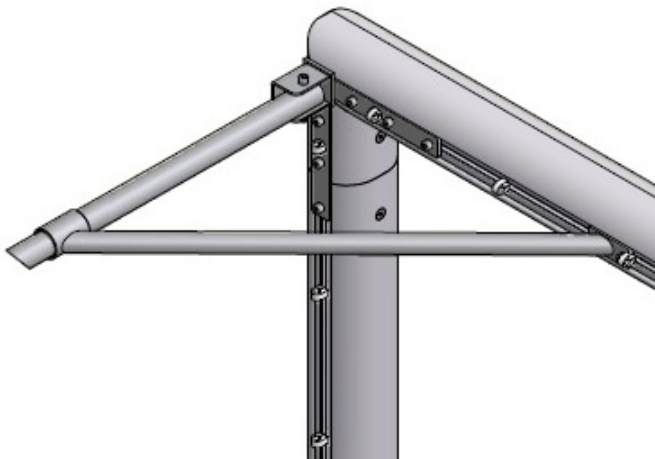
IV. Football goal assembly

The goal assembly should be done in accordance with Figure 1 and 2 attached to this instruction:

1. Screw the goal posts and the crossbar by connectors and Allen screws M8x20.
2. Screw 2 upper hinges prelate (with M8x16 screws and square nuts M8 and upper binding lath "70 ") and 2 bottom hinges (with M8x20 screws and square nuts M8 and bottom binding lath "55") to the goal frame.
Note: before connecting the back (C-shaped tubes) to the goal frame net hitches must be put on in accordance with the illustration below:



3. Assemble back rails with upper and lower hinges.
4. Before fastening the rear, bottom rail tube (with lock screws M8x80 and butterfly nut M8), you must slide the hitches on, in the number consistent with the above figure.
5. Insert two square plugs 80x80 in the lower profile of the goal.
6. Fix the upper struts to the C-shaped tube (with M8x55 screws and self-locking nuts M8), not forgetting the rubber spacer. The other end of strut must be mounted to the goal crossbar (using M8x16 screw and square nut M8).



Net mounting

1. The net must be mounted with hasps and hitches.
2. The upper back of the net must be stretched with the accompanying links
3. The grid must be mounted on the **inside** of the goal frame

V. Usage

1. Fixed net should hang slightly so that a ball coming into it will not bounce from the structural elements of the rails.
2. Before use, and later during the operation of goals all mounting knots must be checked and tightened periodically.
3. Unused goals should be permanently secured against falling down.
4. Goal is intended solely for football and indoor football (futsal) and cannot be used for other purposes
5. It is prohibited to climb on the structure and grid

VI. Guarantee

1. Goal and fasteners are covered by a 24-month guarantee.
The guarantee does not cover damage caused by improper use, for example, mechanical damage of the goal or assembly elements, cutting or setting fire to the goal, assembly not conform to the manufacturer's instructions.