

Please assemble as follows:

1. Unpack all things and check it. Put crossbar, ground crossbar and sides together so that the profile groove is at the back and at the ground crossbar on the top side. Into the crossbars put on each side 1 nut M6 and fix them with the screws M6x22 so that they cannot get out.
2. Connect the sides with the crossbars with screws M8 x 20 through the edge pieces.
3. Line up the cross beam on the crossbar and net hoop and fix it with screw M6 x 22 and washers on the crossbar. On the net hoop fix it with screw M6 x 70mm and nuts.
4. After lining up all parts again, please fix all the screws again.
5. Put net hooks as described into the profile groove on the complete goal.  
**ATTENTION ! Always put 2 net hooks (1x opening to the right side, 1x opening to the left side) in the profile groove together, that an eye arises there !!!**
6. The steel rope put through an instep lock eye, after that twist it trough net and net hook eyes (net hooks)at post and crossbar. (Attention: in the edges are small pipes welded in, here put the steel rope through!!)
7. After putting the complete steel rope around the goal, take the 2 nd instep lock, put the steel rope in it and screw it together. After that fix all instep locks.

Please notice: The net must be hung over the net hoops !!!!

**Pieces für 1 Goal**

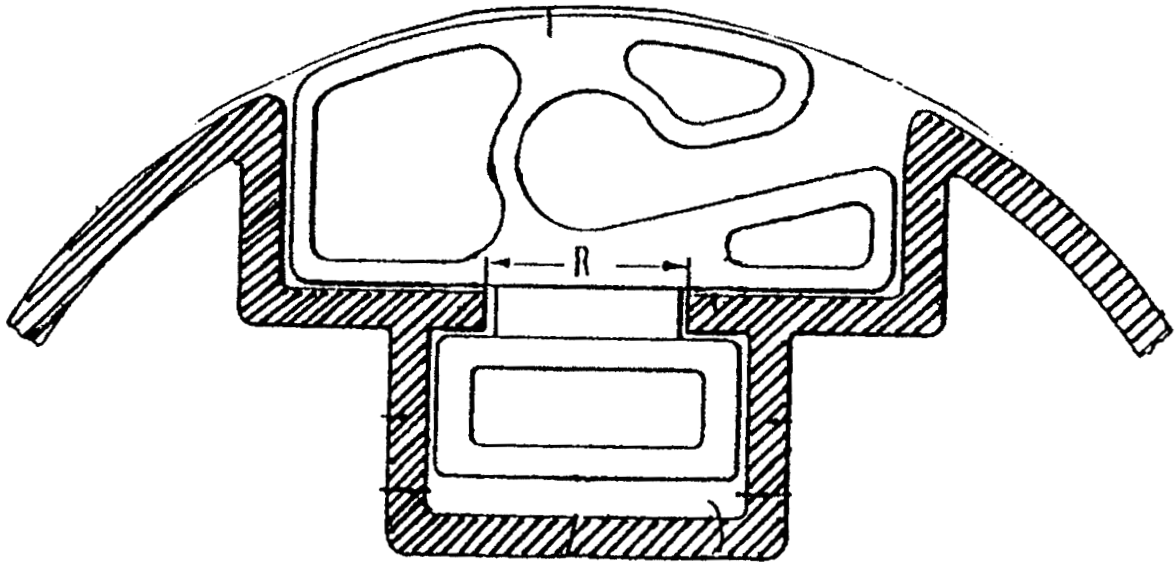
120 pcs.	KU-net hooks	Art. 116
8 pcs.	Lowering screws M8 x 20	DIN 7991
2 pcs.	Screws M6 x 22	DIN 912
2 pcs	Screws M6 x 70	DIN 912
4 pcs	Washers $\varnothing$ 6,4	DIN 9021
2 pcs	nuts M 6	DIN 934
2 pcs	Alu – nuts M6 x 20	
1 pcs	Hexagon key SW 5	DIN 911
3 pcs.	Instep lock (1 pcs. in front of assembled)	
3 pcs.	grips (1 pcs. in front of assembled)	
12 m	steel rope 3/4mm	

**Achtung !! Neue Netzhaken aus Kunststoff !!**

Auf Grund der unterschiedlichen Netzstärken haben wir die doppelte Menge an Netzhaken beigelegt. Bitte setzen Sie je 2 Haken im Abstand von 15mm gleichmäßig in die Latte-/ Pfostenkonstruktion. 1 Netzhaken nach oben, der andere nach unten. Somit ist gewährleistet, daß Netze mit 3mm Materialstärke exakt in den Haken befestigt werden können.

**Attention !! New plastic moulded net hooks !!**

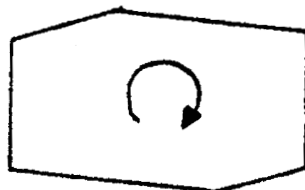
Because of different twine sizes of nets we enclosed double amount of net hooks. When net hooks will be fitted, distribute equally along the bar/ post construction two hooks 15 mm apart from each other. One with opening upwards, one with opening facing down. In this way it is guaranteed that the nets are unable to slip out of the hooks.

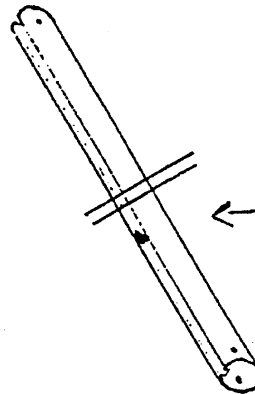
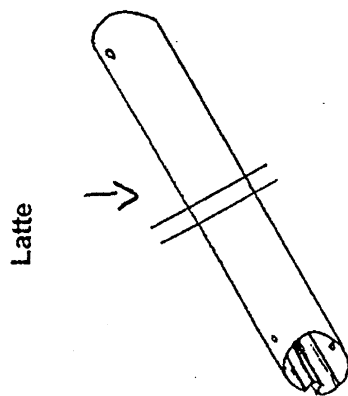
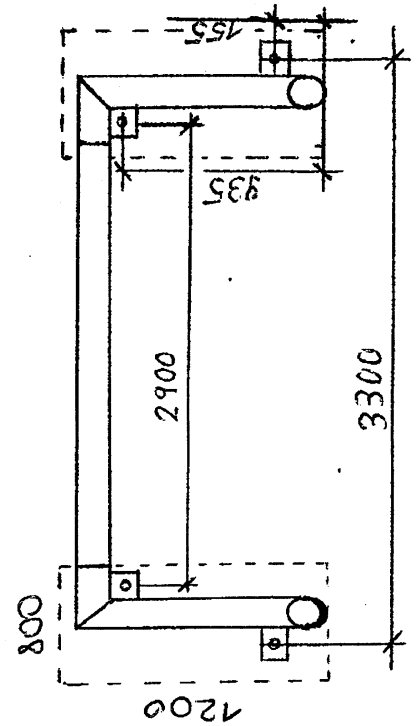
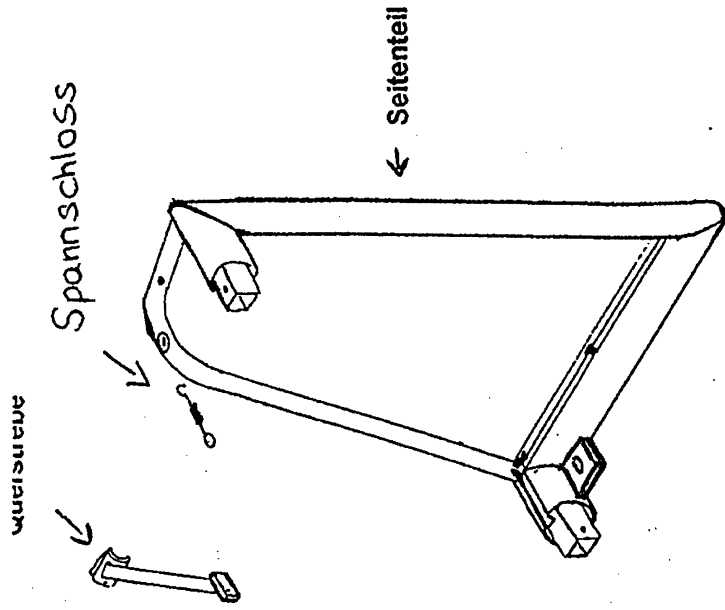


Anstatt Mutterstücke und V2 A Netzhaken werden die Kunststoff-Netzhaken mit einer Zange in die Profilnut eingedreht. Netzhaken bitte nur in dieser Richtung über die abgerundete Ecke drehen. (siehe Skizze)

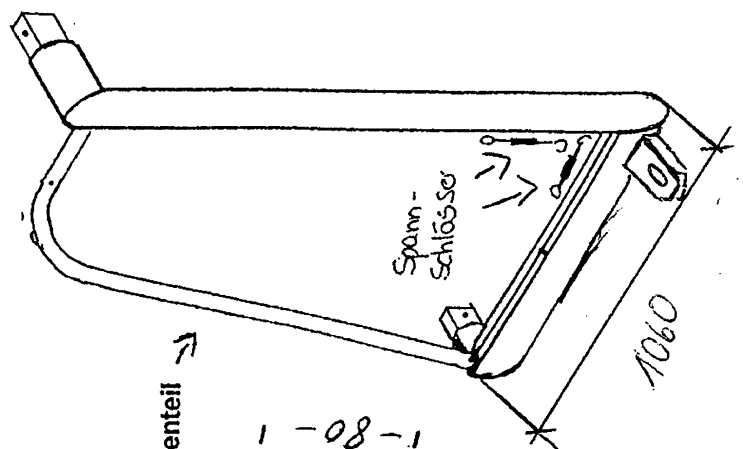
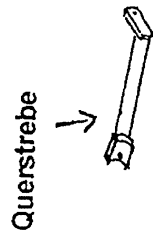
Instead of nut pieces and V2 A net hooks the plastic hooks will be turned into the profile slot with a tongs. Net hooks only turn in direction of rounded edges. (look at drawing)

Profilnut

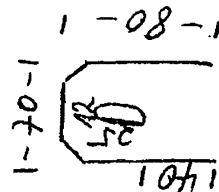




Fundament:  
Tief: 800mm



Seitenteil



Art.