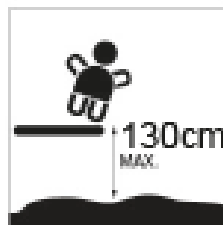
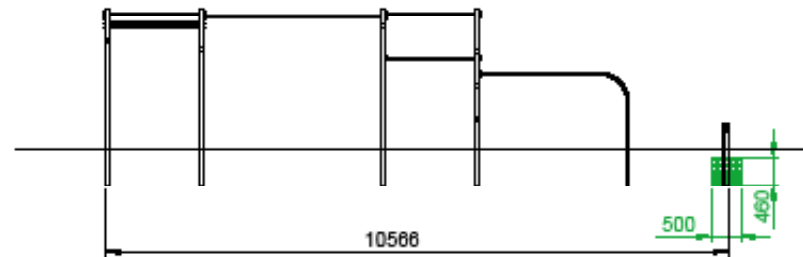
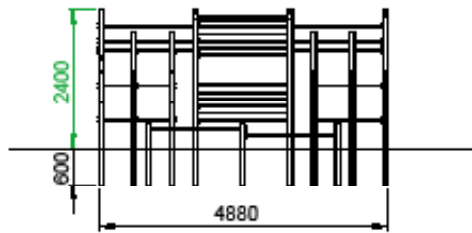
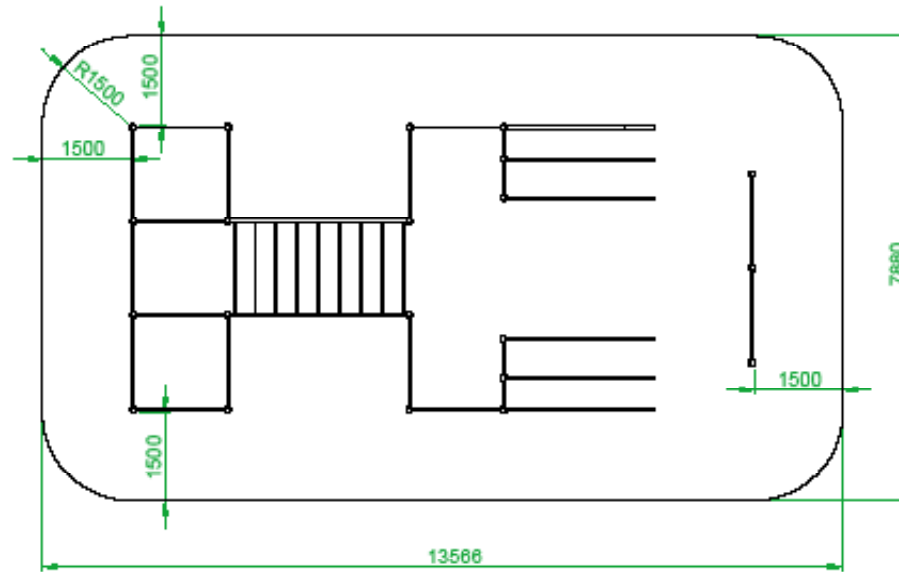


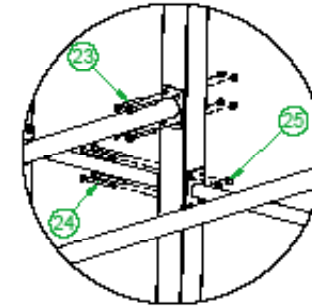
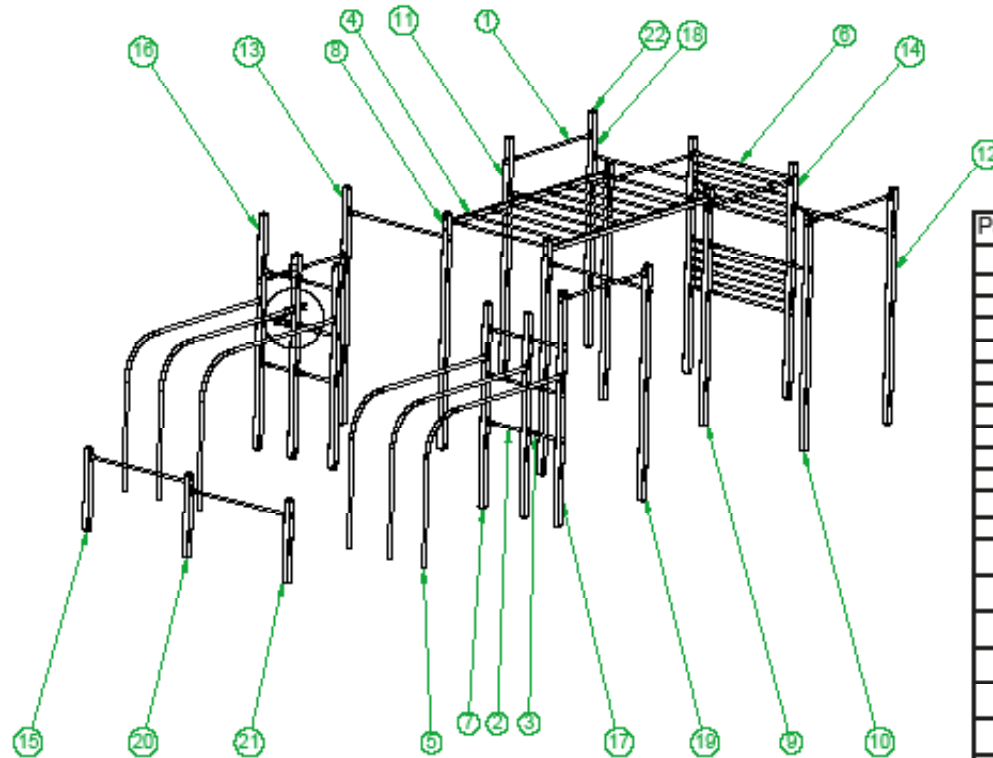
Product is suitable for outdoor
fitness areas
according to EN16630





Cast 500x500x460mm concrete for each posts.
 On the top layer 100mm stone dust and 40mm thick safety rubber tiles

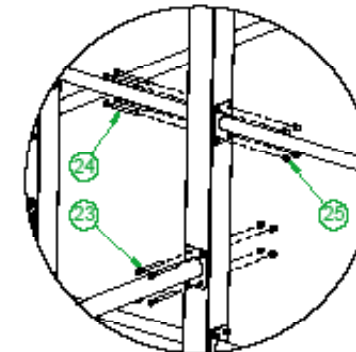
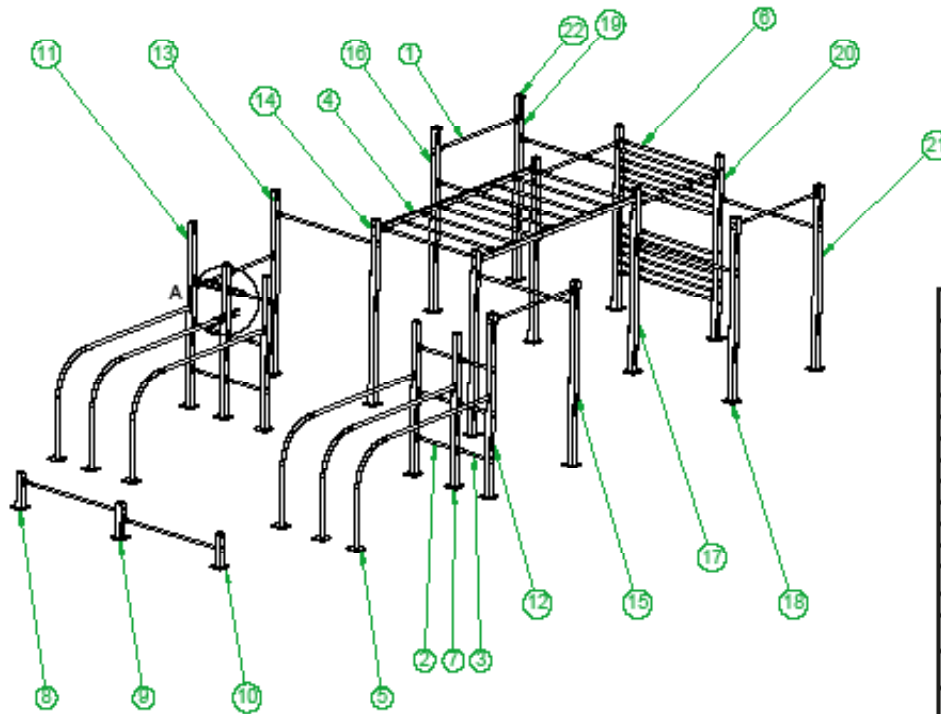




DETAIL B

Part number	PCS.	Description
1	14	ME805_SW_Pull_up_bar
2	6	ME806_SW_Bar1
3	6	ME807_SW_Bar2
4	1	ME808_SW_Monkey_bar
5	6	ME819_SW_Parallel_bars
6	2	ME841_SW_Swedish_wall2
7	4	ME818_SW_Post9
8	2	ME832_SW_Post12
9	2	ME833_SW_Post13
10	1	ME835_SW_Post15
11	1	ME836_SW_Post16
12	1	ME837_SW_Post17
13	1	ME838_SW_Post18
14	2	ME839_SW_Post19
15	1	ME860_SW_Post24
16	1	ME885_SW_Post25
17	2	ME886_SW_Post26
18	1	ME887_SW_Post27
19	1	ME888_SW_Post28
20	2	ME889_SW_Post29
21	1	ME890_SW_Post30
22	21	MU113_Plug_80x80
23	208	RU253_Socket_screw_M8x95
24	36	RU116_Socket_screw_M8x100
25	244	RU252_M8_Nylock_cap_nut

Surface mounting



DETAIL A

Part number	PCS.	Description
1	14	ME805_SW_Pull_up_bar
2	6	ME806_SW_Bar1
3	6	ME807_SW_Bar2
4	1	ME808_SW_Monkey_bar
5	6	ME829_SW_Parallel_bars_PK
6	2	ME841_SW_Swedish_wall2
7	4	ME828_SW_Post9_PK
8	1	ME891_SW_Post24_PK
9	1	ME892_SW_Post29_PK
10	1	ME893_SW_Post30_PK
11	1	ME894_SW_Post25_PK
12	1	ME895_SW_Post26_PK
13	1	ME896_SW_Post18_PK
14	2	ME897_SW_Post12_PK
15	1	ME898_SW_Post28_PK
16	1	ME899_SW_Post16_PK
17	2	ME900_SW_Post13_PK
18	1	ME901_SW_Post15_PK
19	1	ME902_SW_Post27_PK
20	2	ME903_SW_Post19_PK
21	1	ME904_SW_Post17_PK
22	21	MU113_Plug_80x80
23	208	RU253_Socket_screw_M8x95
24	36	RU116_Socket_screw_M8x100
25	244	RU252_M8_Nyllock_cap_nut

