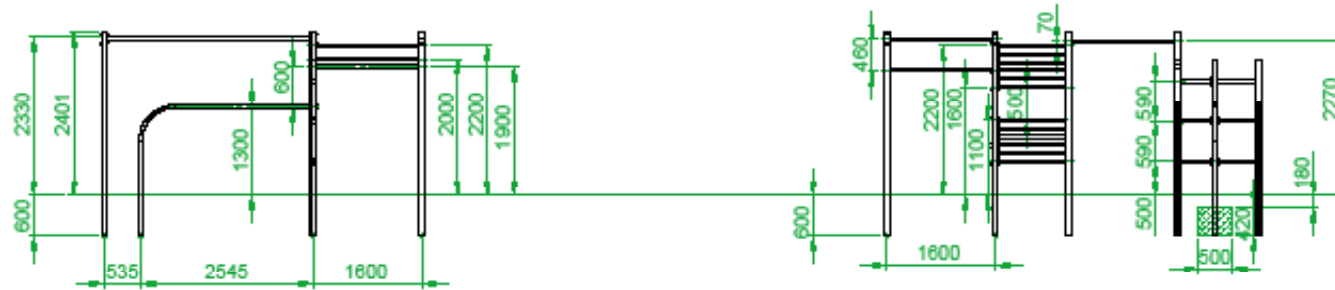
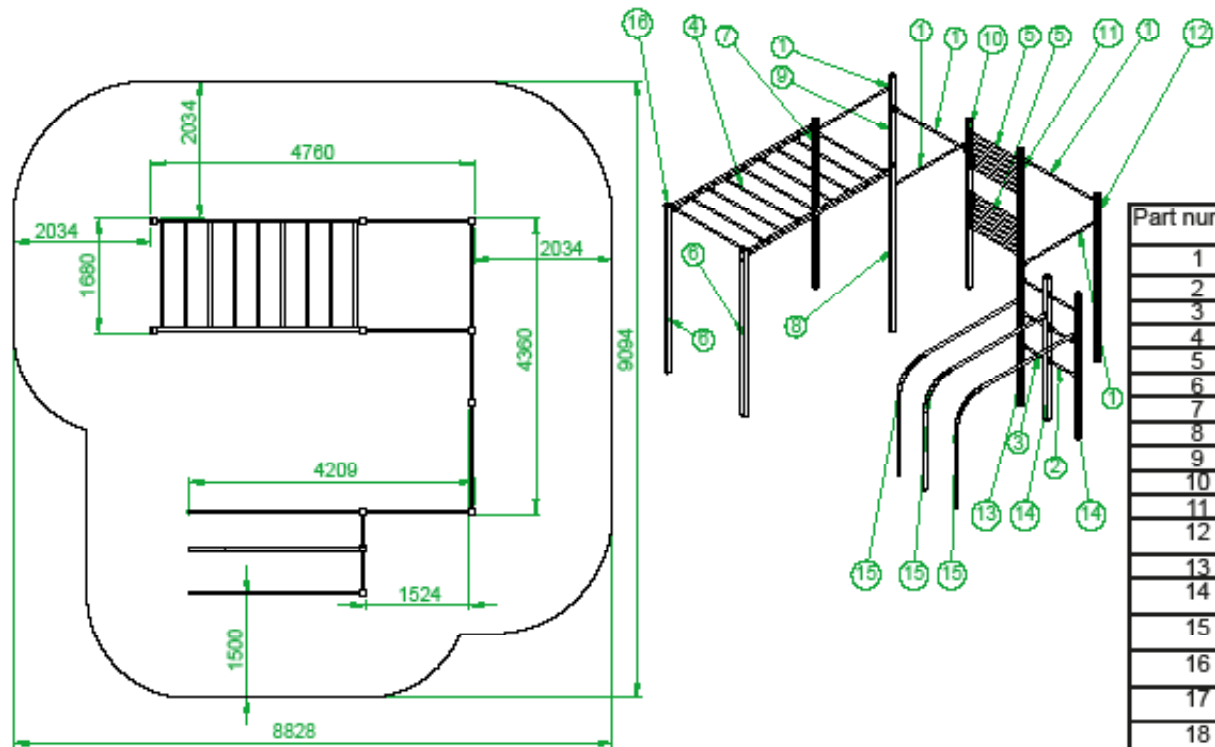


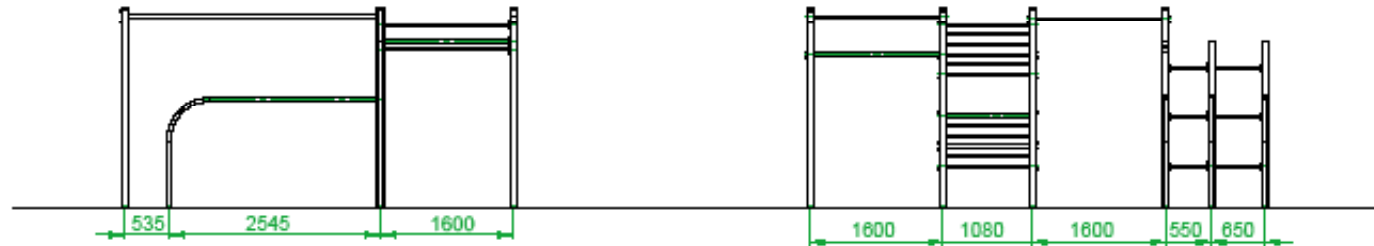
Product is suitable for  
playgrounds according to  
EN1176:1



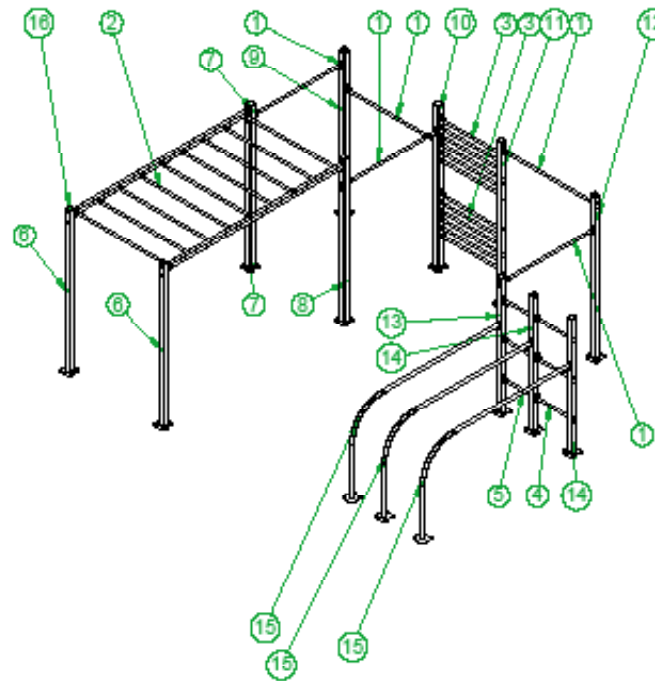
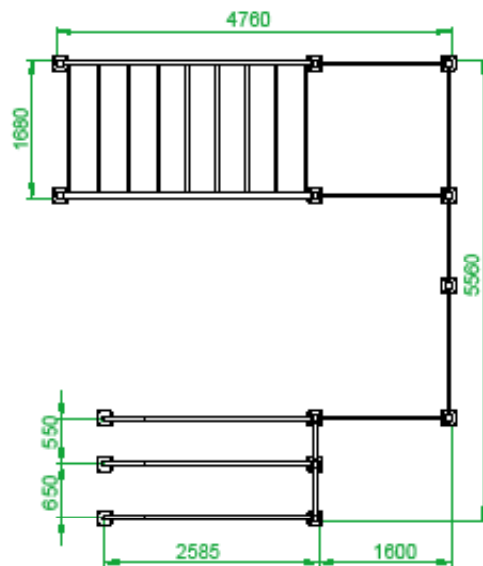
Cast 500x500x420mm concrete for each posts.  
 On the top layer 100mm stone dust and 80mm thick safety rubber tiles



Part number	PCS.	Description
1	5	ME805_SW_Pull_up_bar
2	3	ME806_SW_Bar1
3	3	ME807_SW_Bar2
4	1	ME808_SW_Monkey_bar
5	2	ME809_SW_Swedish_wall
6	2	ME810_SW_Post1
7	1	ME811_SW_Post2
8	1	ME812_SW_Post3
9	1	ME813_SW_Post4
10	1	ME814_SW_Post5
11	1	ME815_SW_Post6
12	1	ME816_SW_Post7
13	1	ME817_SW_Post8
14	2	ME818_SW_Post9
15	3	ME819_SW_Parallel_bars
16	11	MU113_Plug_80x80
17	108	RU253_Socket_screw_M8x95
18	20	RU116_Socket_screw_M8x100
19	128	RU252_Nylock_cap_nut



Surface mounting



Part number	PCS.	Description
1	5	ME805_SW_Pull_up_bar
2	3	ME808_SW_Monkey_bar
3	3	ME809_SW_Swedish_wall
4	1	ME806_SW_Bar1
5	2	ME807_SW_Bar2
6	2	ME820_SW_Post1_PK
7	1	ME821_SW_Post2_PK
8	1	ME822_SW_Post3_PK
9	1	ME823_SW_Post4_PK
10	1	ME824_SW_Post5_PK
11	1	ME825_SW_Post6_PK
12	1	ME826_SW_Post7_PK
13	1	ME827_SW_Post8_PK
14	2	ME828_SW_Post9_PK
15	3	ME829_SW_Parallel_bars_PK
16	11	MU113_Plug_80x80
17	108	RU253_Socket_screw_M8x95
18	20	RU116_Socket_screw_M8x100
19	128	RU252_Nylock_cap_nut

