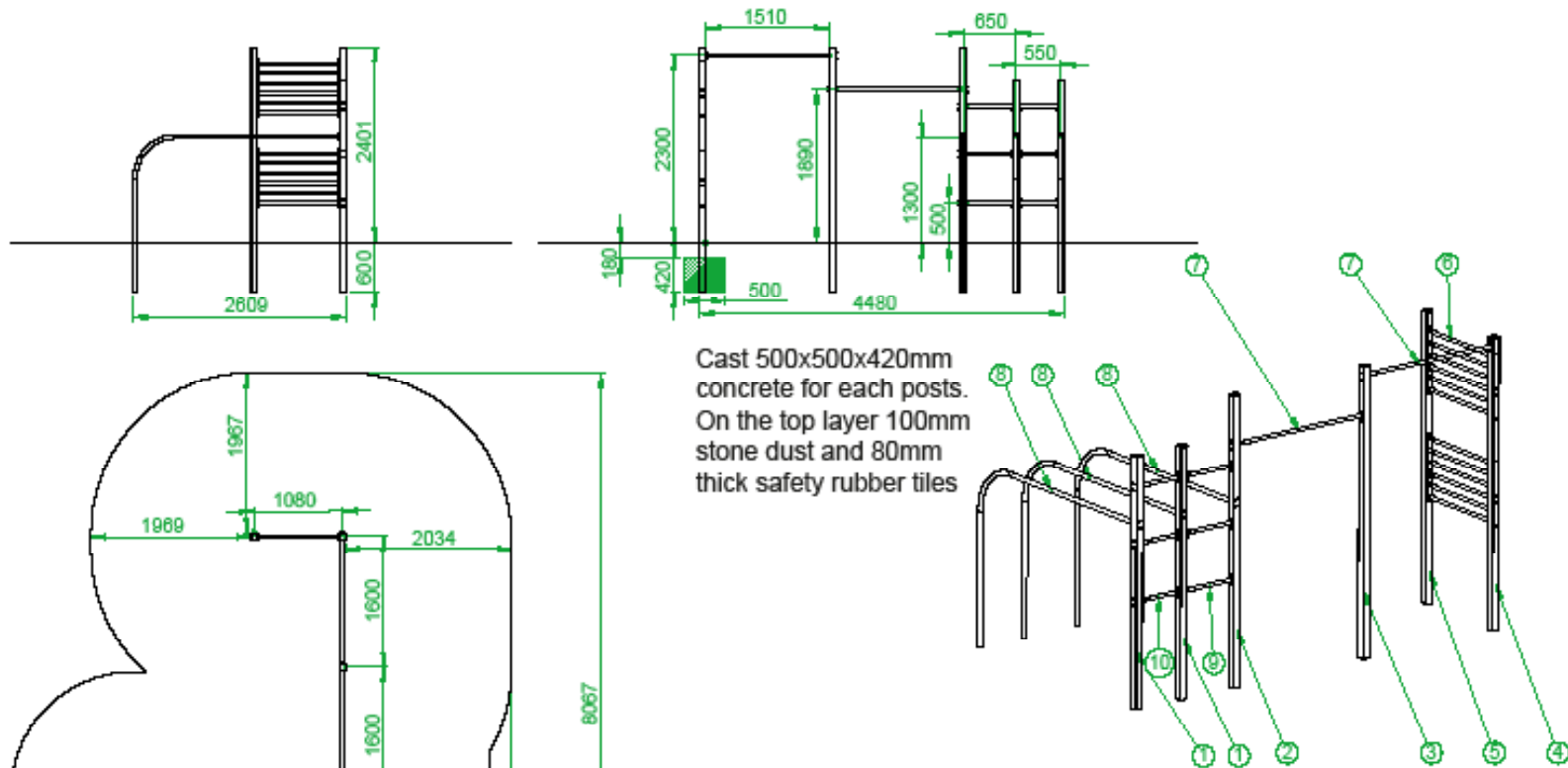
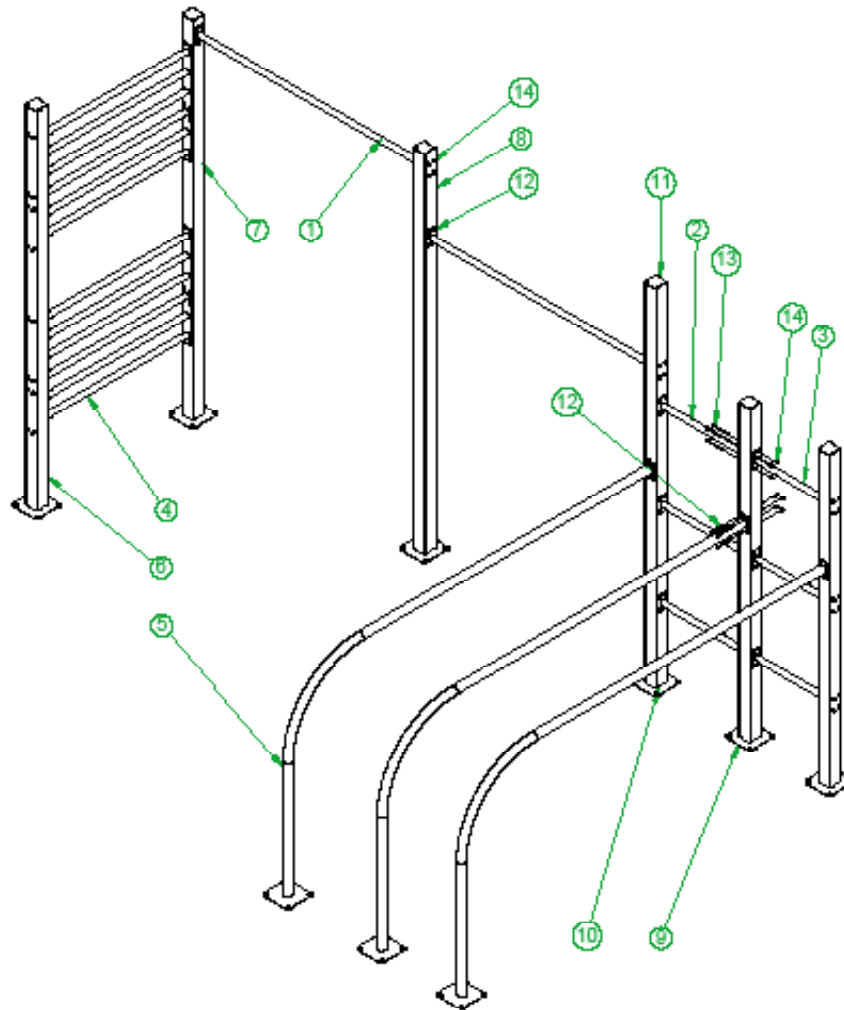


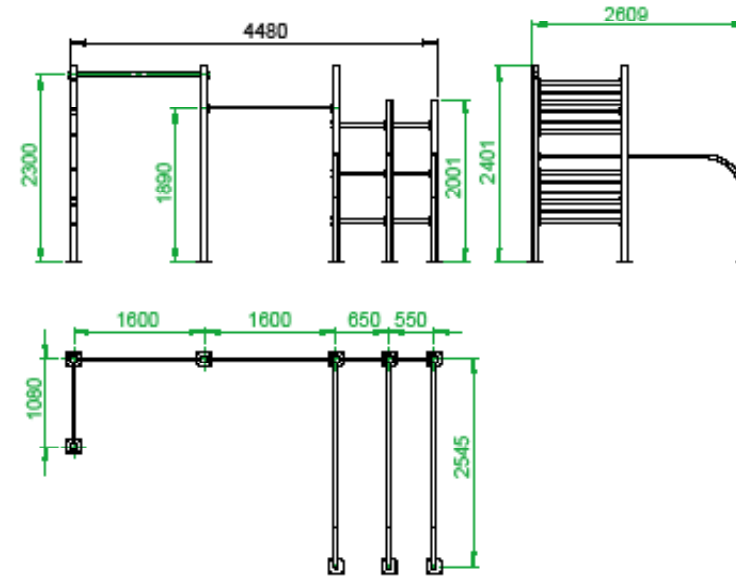
Product is suitable for playgrounds according to EN1176:1



Part number	PCS.	Description
1	2	ME818_SW_Post9
2	1	ME830_SW_Post10
3	1	ME831_SW_Post11
4	1	ME853_SW_Post21
5	1	ME854_SW_Post22
6	2	ME809_SW_Swedish wall
7	2	ME805_SW_Pull up bar
8	3	ME819_SW_Parallel bars
9	3	ME806_SW_Bar1
10	3	ME807_SW_Bar2
11	6	MU113_Plug_80x80
12	84	RU253_Socket_screw_M8x95
13	12	RU116_Socket_screw_M8x100
14	96	RU252_Nylock_cap_nut



Surface mounting



Part number	PCS.	Description
1	2	ME805 SW Pull up bar
2	3	ME806 SW Bar1
3	3	ME807 SW Bar2
4	2	ME809 SW Swedish wall
5	3	ME829 SW Parallel bars
6	1	ME877 SW Post22 PK
7	1	ME878 SW Post21 PK
8	1	ME879 SW Post11 PK
9	2	ME828 SW Post9 PK
10	1	ME882 SW Post10 PK
11	6	MU113 Plug 80x80
12	84	RU253_Socket_screw_M8x95
13	12	RU116 Socket screw M8x100
14	96	RU252_Nylock_cap_nut

