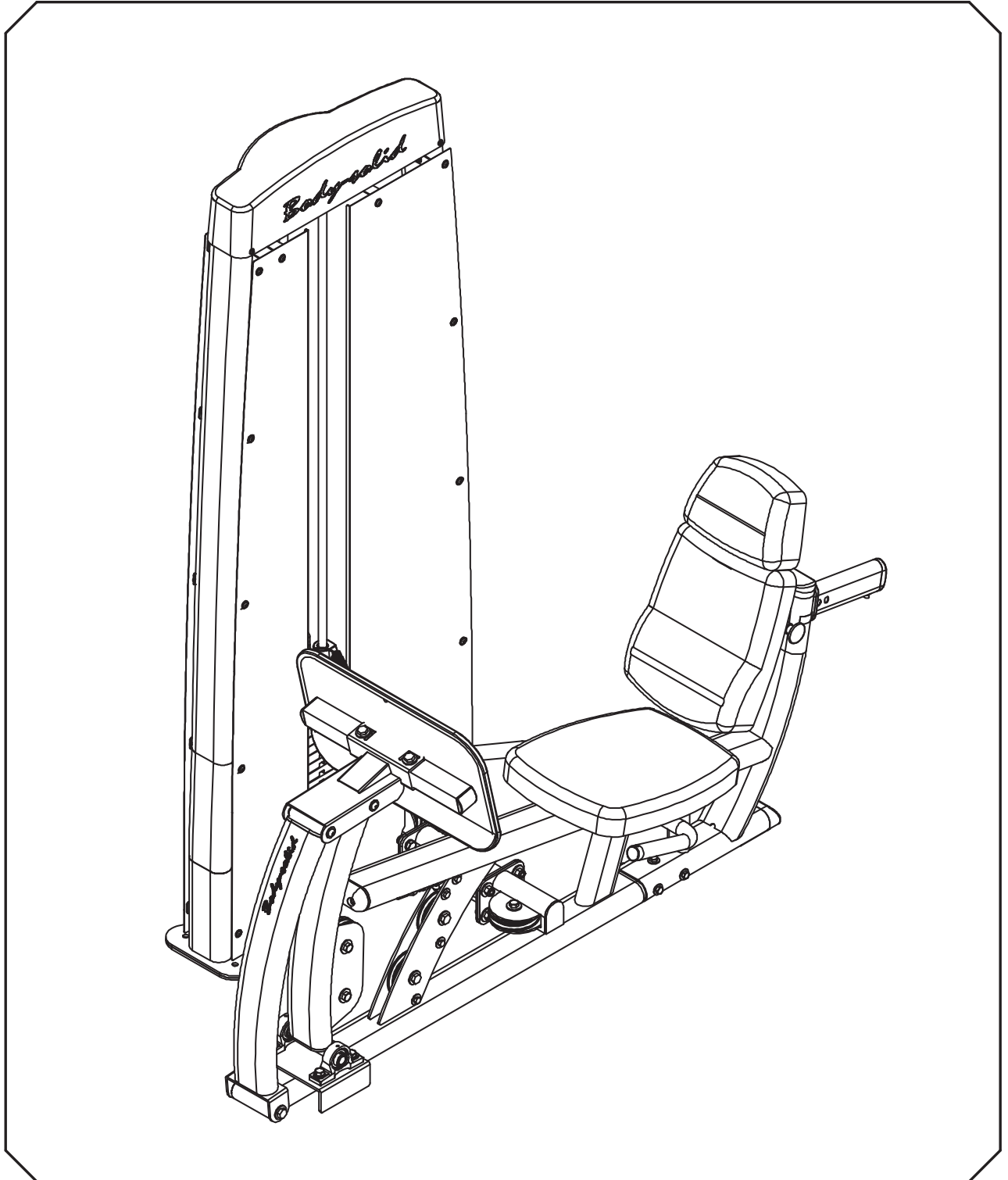
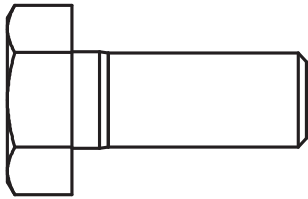


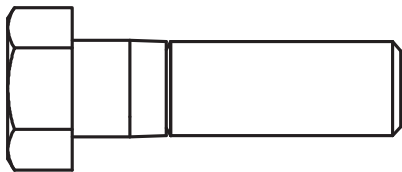
Body-Solid



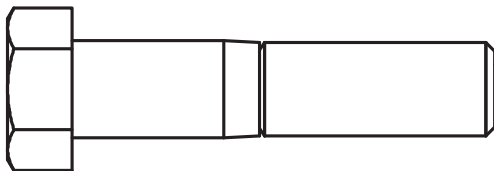
HARDWARW ILLUSTRATION



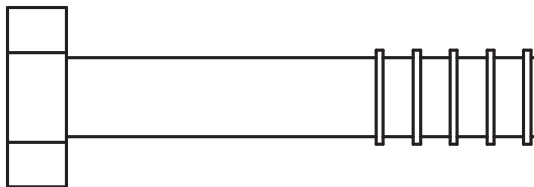
(A1)HEX BOLT 1/2"X1-1/4"L PARTIAL QTY.8



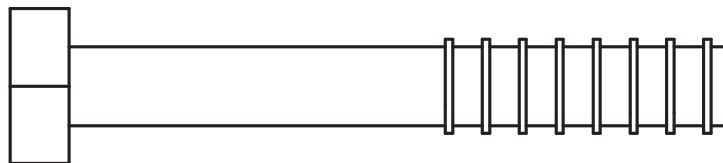
(A2)HEX BOLT 1/2"X1-3/4"L PARTIAL QTY.4



(A3)HEX BOLT 1/2"X2-1/4"L PARTIAL QTY.2



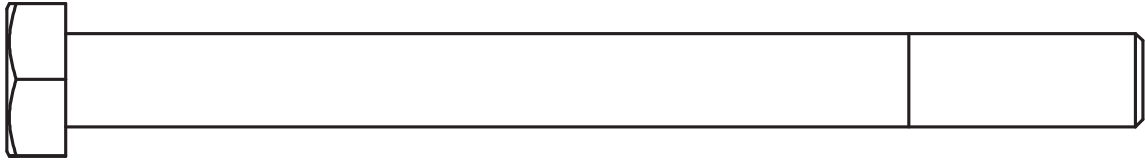
(A4)HEX BOLT 1/2"X2-1/2"L PARTIAL QTY.2



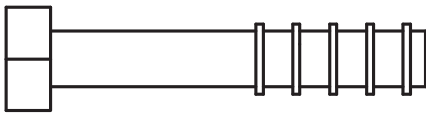
(A5)HEX BOLT 1/2"X3-1/2"L PARTIAL QTY.2



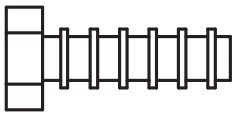
HARDWARW ILLUSTRATION



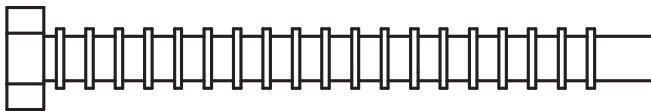
(A6)HEX BOLT 1/2"X5-3/4"L PARTIAL QTY.2



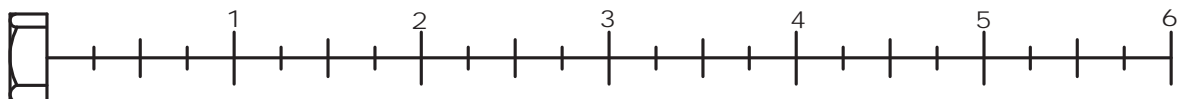
(A7)HEX BOLT 3/8"X2"L PARTIAL QTY.4



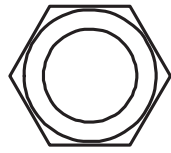
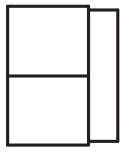
(A8)HEX BOLT 5/16"X1"L PARTIAL QTY.4



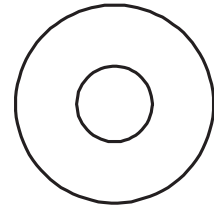
(A9)HEX BOLT 5/16X3-1/4"L PARTIAL QTY.2



HARDWARW ILLUSTRATION



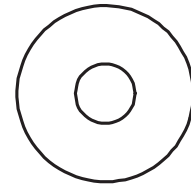
(B1) NYLON LOCK NUT 1/2" QTY.20



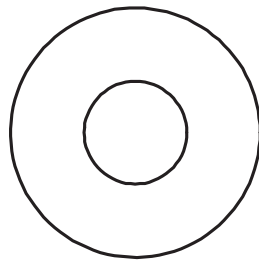
(C3) 3/8" (I.D.) FLAT WASHER Ø27 QTY.8



(B2) NYLON LOCK NUT 3/8" QTY.4



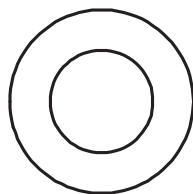
(C4) 5/16" (I.D.) FLAT WASHER Ø24 QTY.6



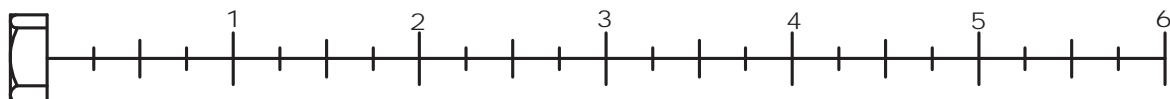
(C1) 1/2" (I.D.) FLAT WASHER Ø34 QTY.24



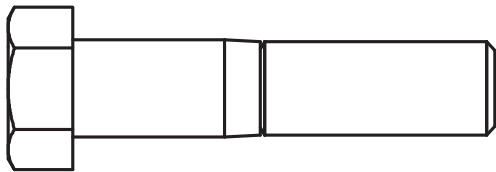
(C5) SPRING WASHER 5/16" QTY.6



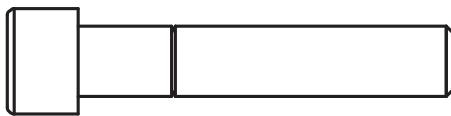
(C2) 1/2" (I.D.) FLAT WASHER Ø25 QTY.16



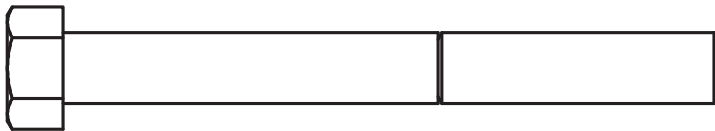
HARDWARW ILLUSTRATION



(AA2)HEX BOLT 1/2"X2-1/4"L PARTIAL QTY.4



(AA4)ROUND INNER HEAD 3/8"X2"L PARTIAL QTY.1



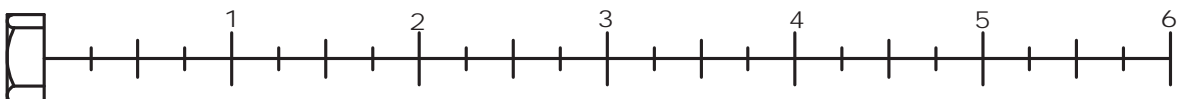
(AA5)ROUND INNER HEAD 3/8"X3-1/2"L PARTIAL QTY.1



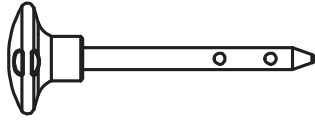
(AA6)ROUND INNER HEX SCREW M6X20L PARTIAL QTY.24



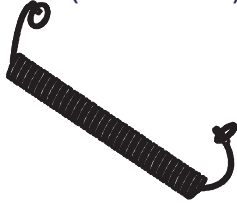
(AA7)ROUND CROSS SCREW 5/32"X1/4"L PARTIAL QTY.4



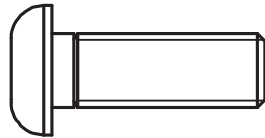
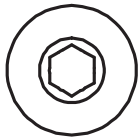
HARDWARW ILLUSTRATION



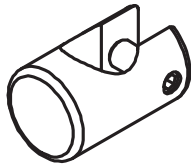
(AA8)10LB PIN(8250-071) QTY.1



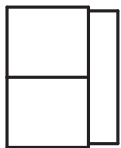
(AA9)ELASTIC BOLT QTY.1



(AA11)ROUND INNER HEX SCREW
M10X30L PARTIAL QTY.1



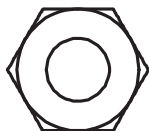
(AA12)FIRM SHEATH(8890-046) QTY.1



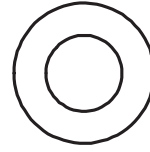
(BB2)NYLON LOCK NUT1/2" QTY.4



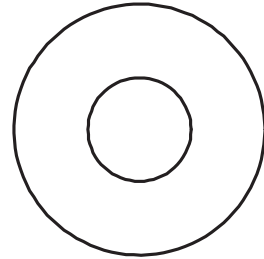
(BB3)NYLON LOCK NUT3/8" QTY.1



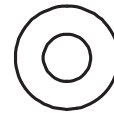
(BB4)NYLON LOCK NUT M10 QTY.1



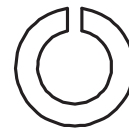
(CC1)3/8"(I.D.)FLAT WASHER Ø19 QTY.2



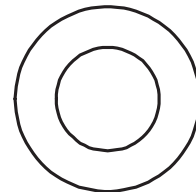
(CC2)1/2"(I.D.)FLAT WASHER Ø34 QTY.6



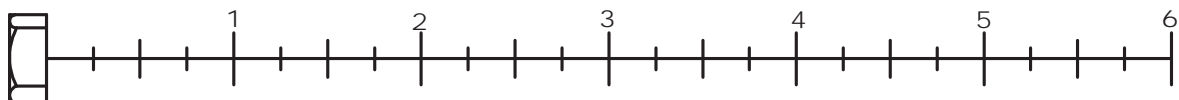
(CC3)M6(I.D.)FLAT WASHER Ø13 QTY.24



(CC6)SPRING WASHER 3/8" QTY.1



(CC7)1/2"(I.D.)FLAT WASHER Ø25 QTY.2



HARDWARW ILLUSTRATION

D1



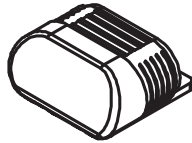
D2



D3



D4



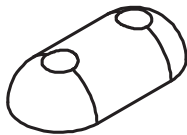
D5



D6



D7



D8



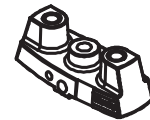
D9



D10



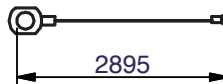
D11



D13



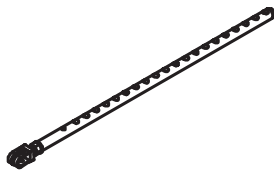
D14



D15



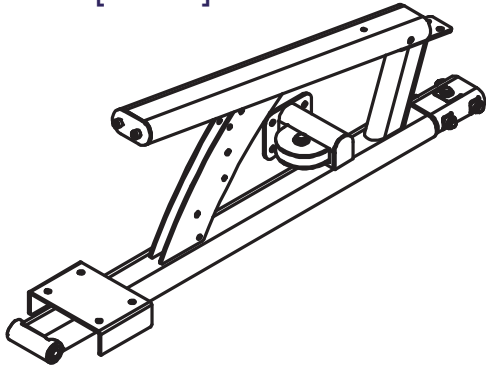
D17



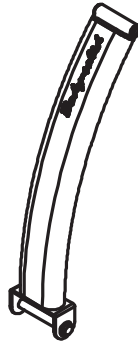
(D1) Ø8 SPRING SNAP LINK(8810-001)	-----	[1PCS]
(D2) □50X50X1.8t END CAP(9211-087)	-----	[2PCS]
(D3) 50X100 NYLON BUSHING(9211-107)	-----	[2PCS]
(D4) 58X116X2.5tX65H FOOT CAP(9211-109)	-----	[1PCS]
(D5) 58X116X2.5t END CAP(9211-112)	-----	[1PCS]
(D6) 40X80X2t END CAP(9211-113)	-----	[1PCS]
(D7) 116X58X29 RUBBER PAD(9310-057)	-----	[1PCS]
(D8) Ø4" 1/2" PULLEY(9213-010B)	-----	[9PCS]
(D9) Ø3/4" SHAFT COLLAR(9211-046)	-----	[2PCS]
(D10) Ø4" RUBBER DOUNT(9310-017)	-----	[2PCS]
(D11) TOP PLATE(8400-006)	-----	[1PCS]
(D13) 95X250 RUBBER PAD(9310-060)	-----	[2PCS]
(D14) 2895 STEEL CABLE(FDCLPA)	-----	[1PCS]
(D15) 3705 STEEL CABLE(FDCLPB)	-----	[1PCS]
(D16) DLP FOR DGYM STEEL CABLE(FDCLPC)	-----	[1PCS]
(D17) WEIGHT SELECTOR BAR(8210-042B)	-----	[1PCS]

PARTS ILLUSTRATION

A [1PCS]



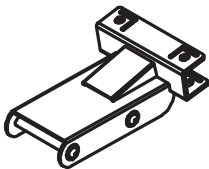
B [1PCS]



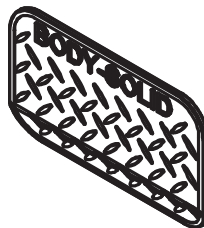
C [1PCS]



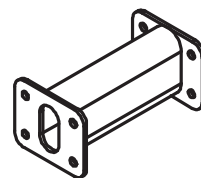
D [1PCS]



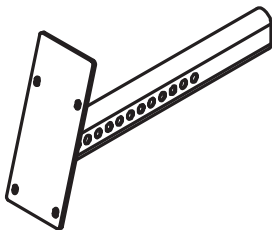
E [1PCS]



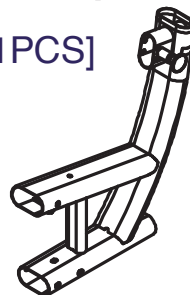
F [1PCS]



G [1PCS]



H [1PCS]

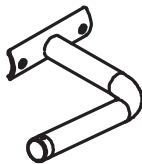


I [1PCS]

Direction

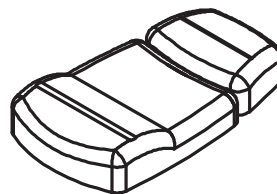


J [1PCS]

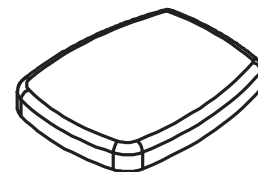


Direction

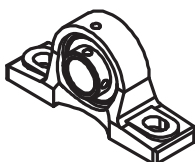
K [1PCS]
9111-055



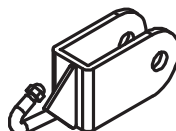
L [1PCS]
9122-040



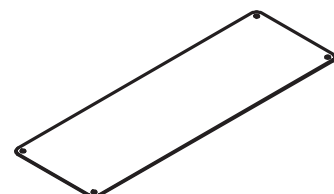
M [2PCS]
8510-005



N [1PCS]
6640-001

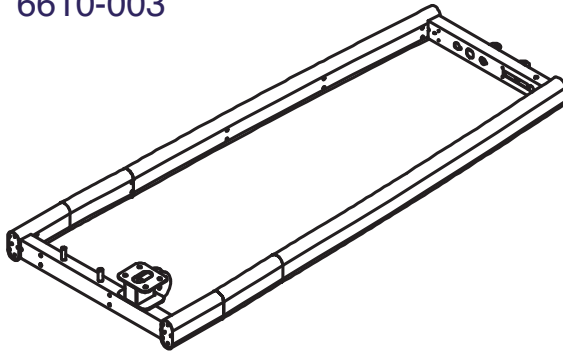


O [1PCS]
9440-160

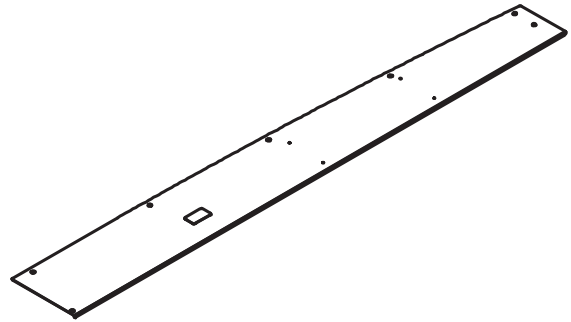


PARTS ILLUSTRATION

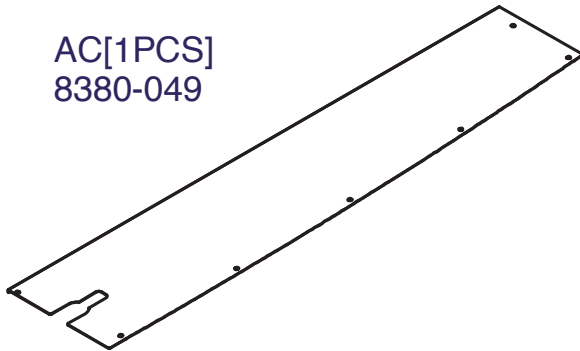
AA[1PCS]
6610-003



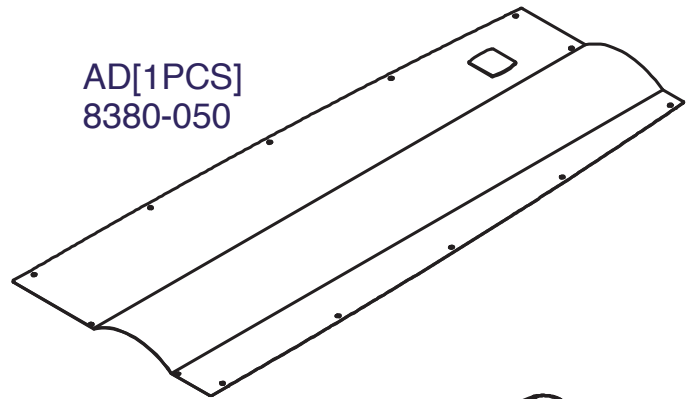
AB[1PCS]
8380-051



AC[1PCS]
8380-049



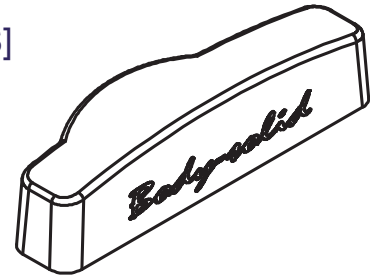
AD[1PCS]
8380-050



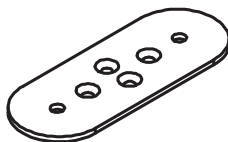
AE[2PCS]
260159 (Ø3/4"X1932L)



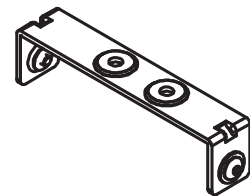
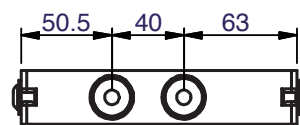
AF[1PCS]
9211-111



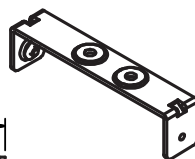
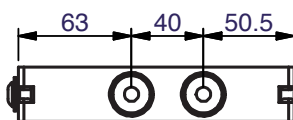
AG[2PCS]
8313-144



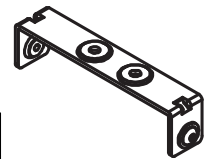
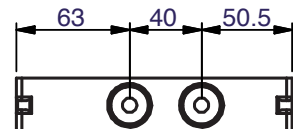
AH[11PCS]
8321-040

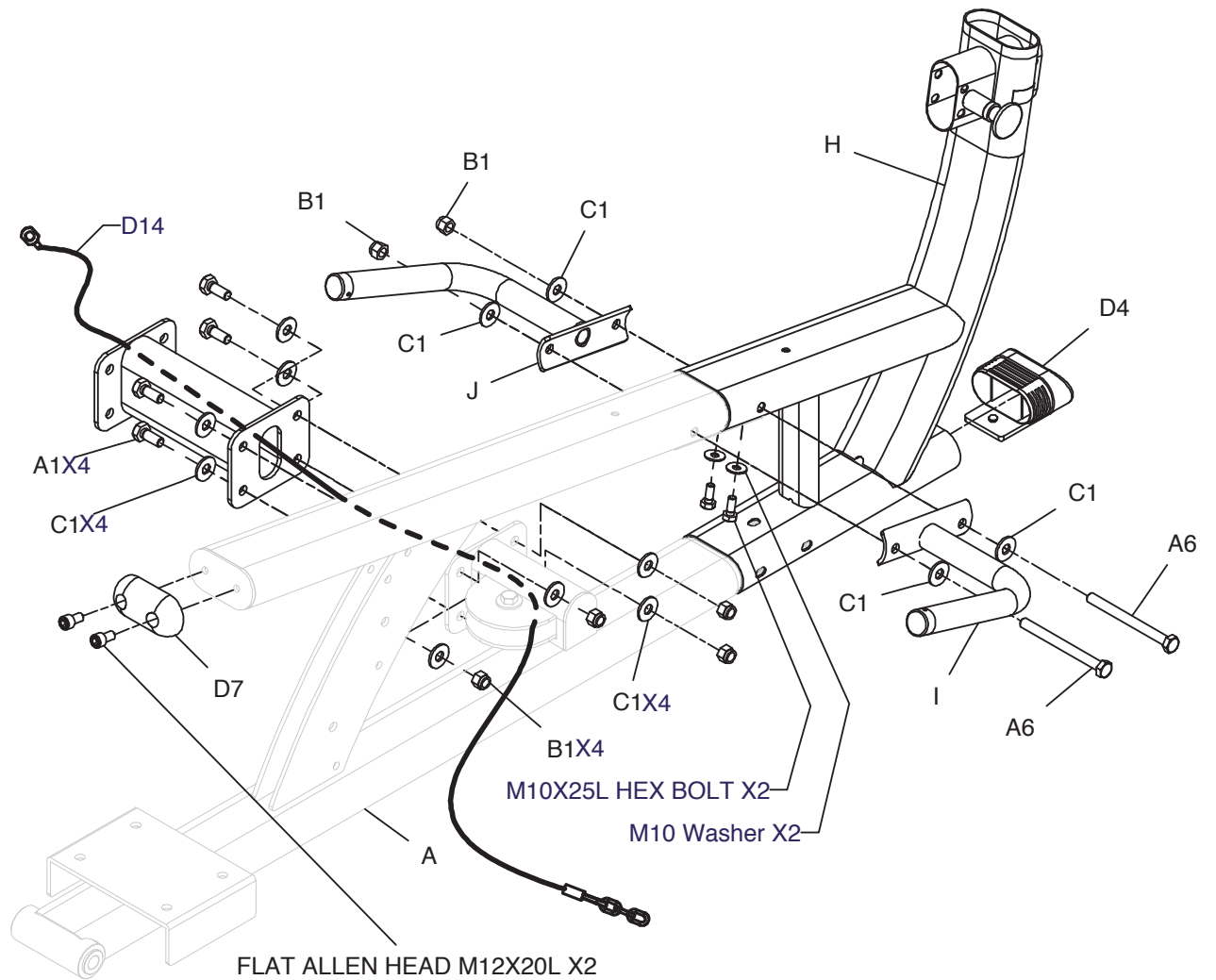
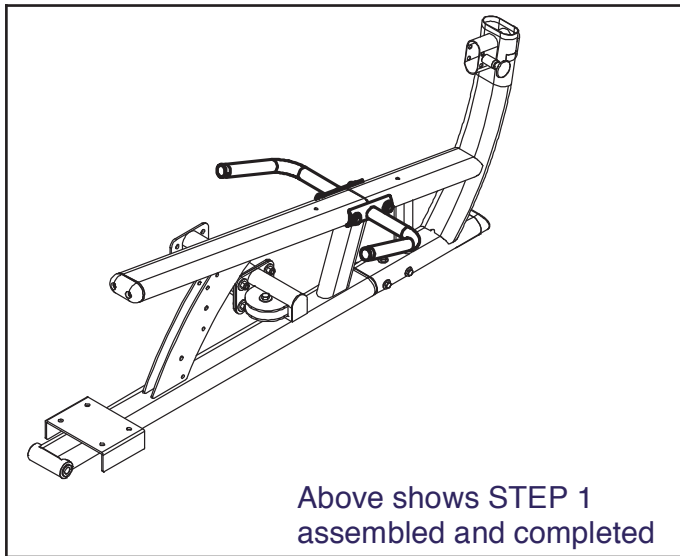


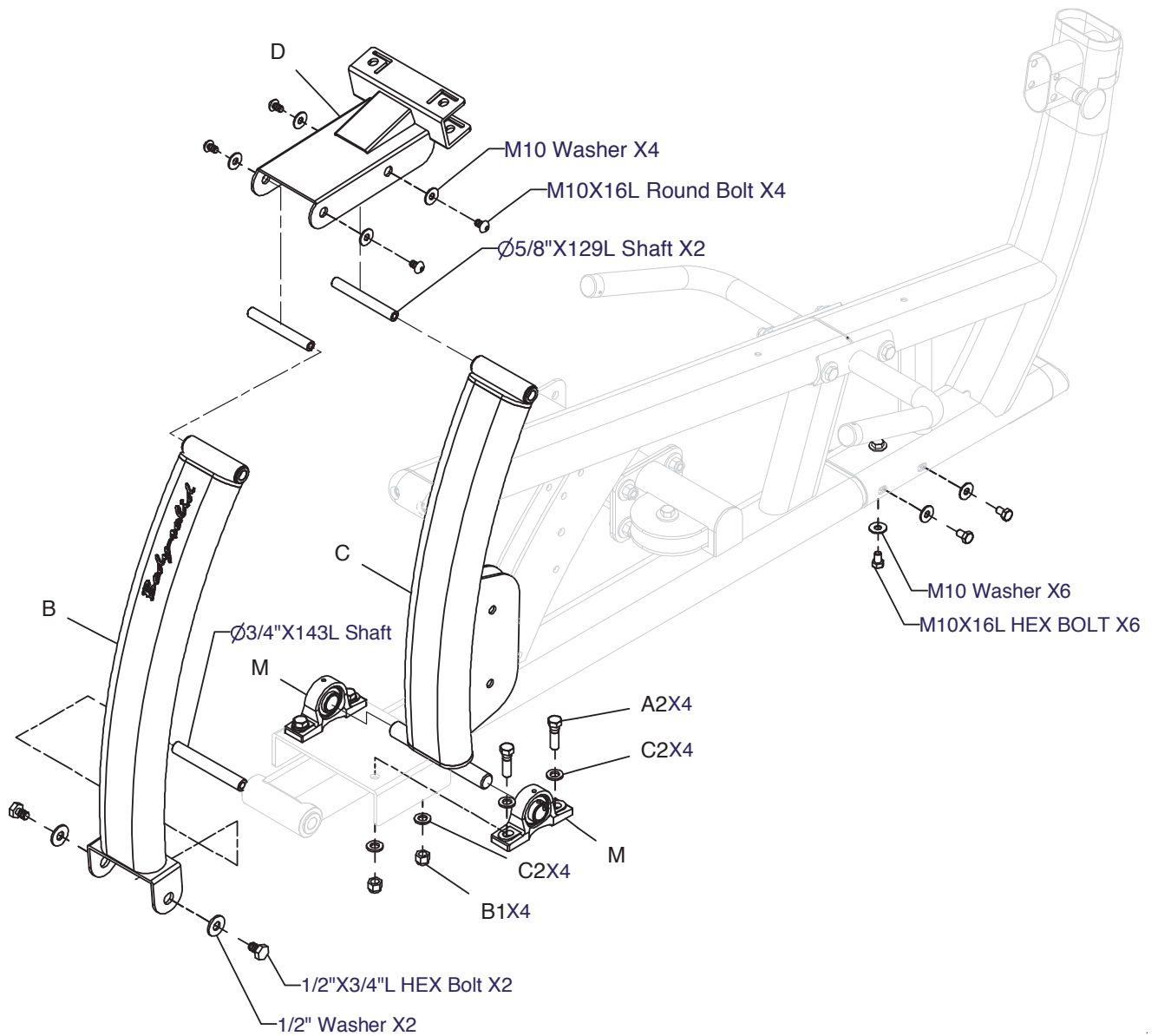
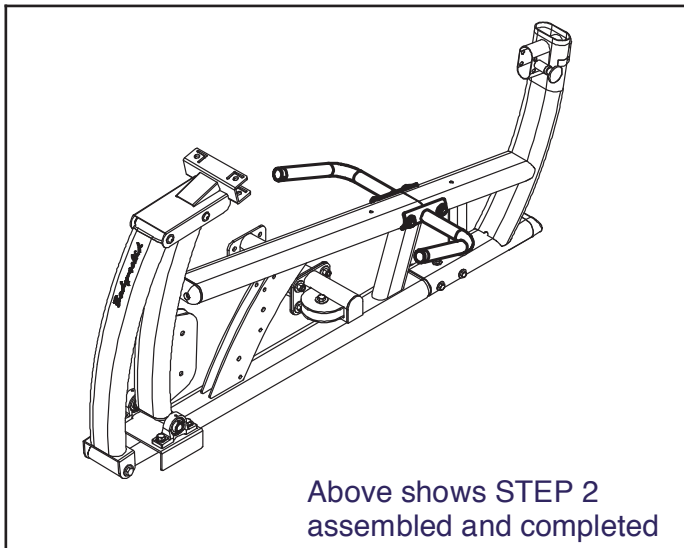
AI[1PCS]
8321-040

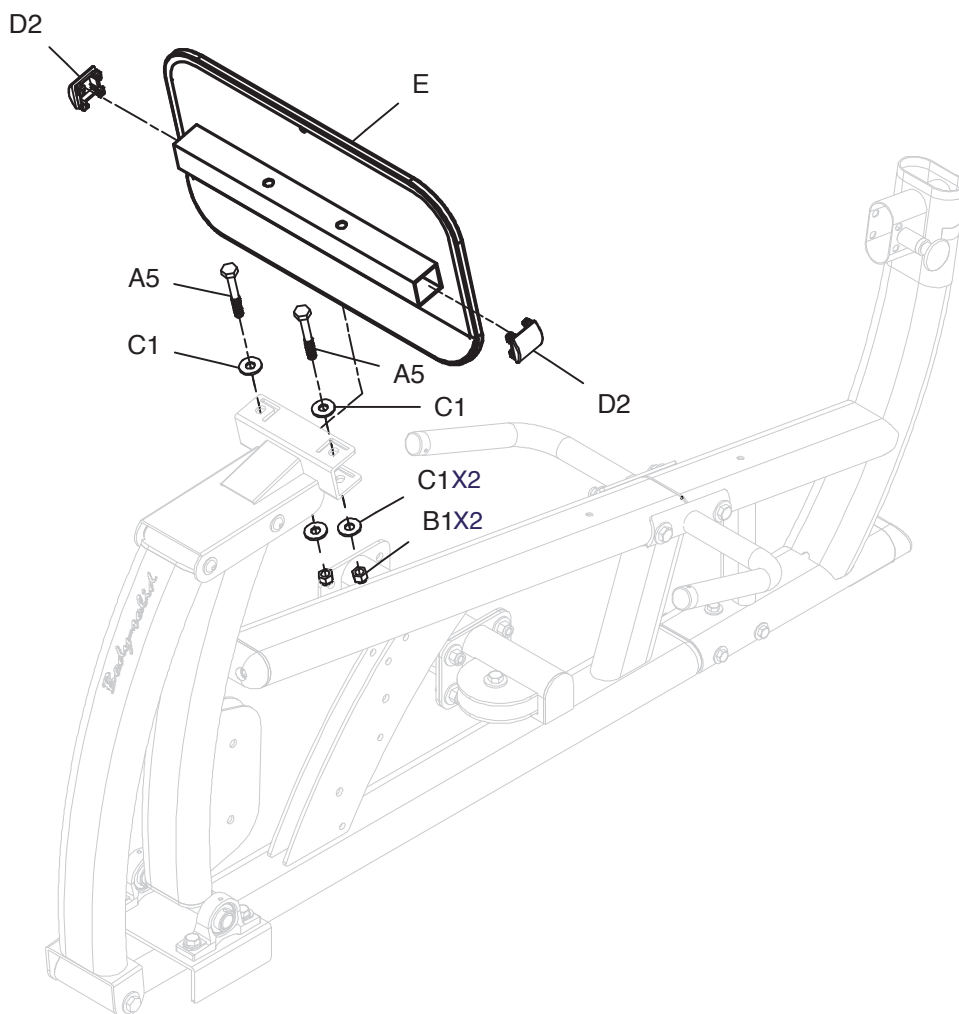
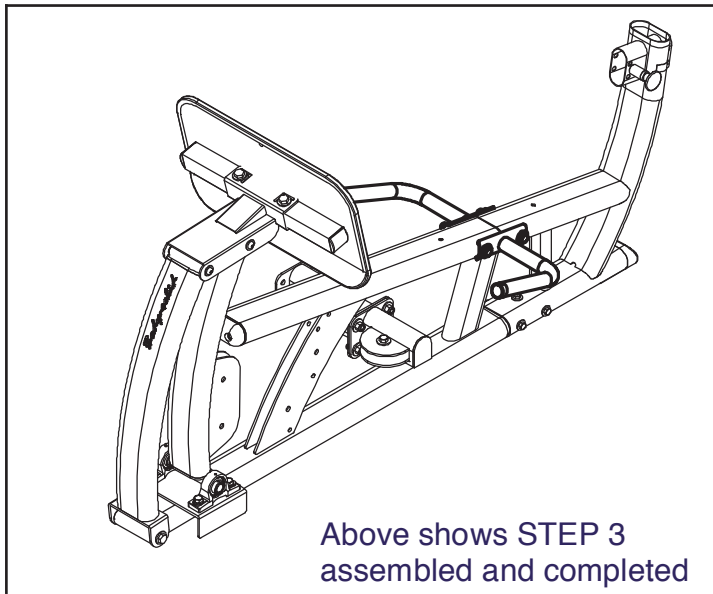


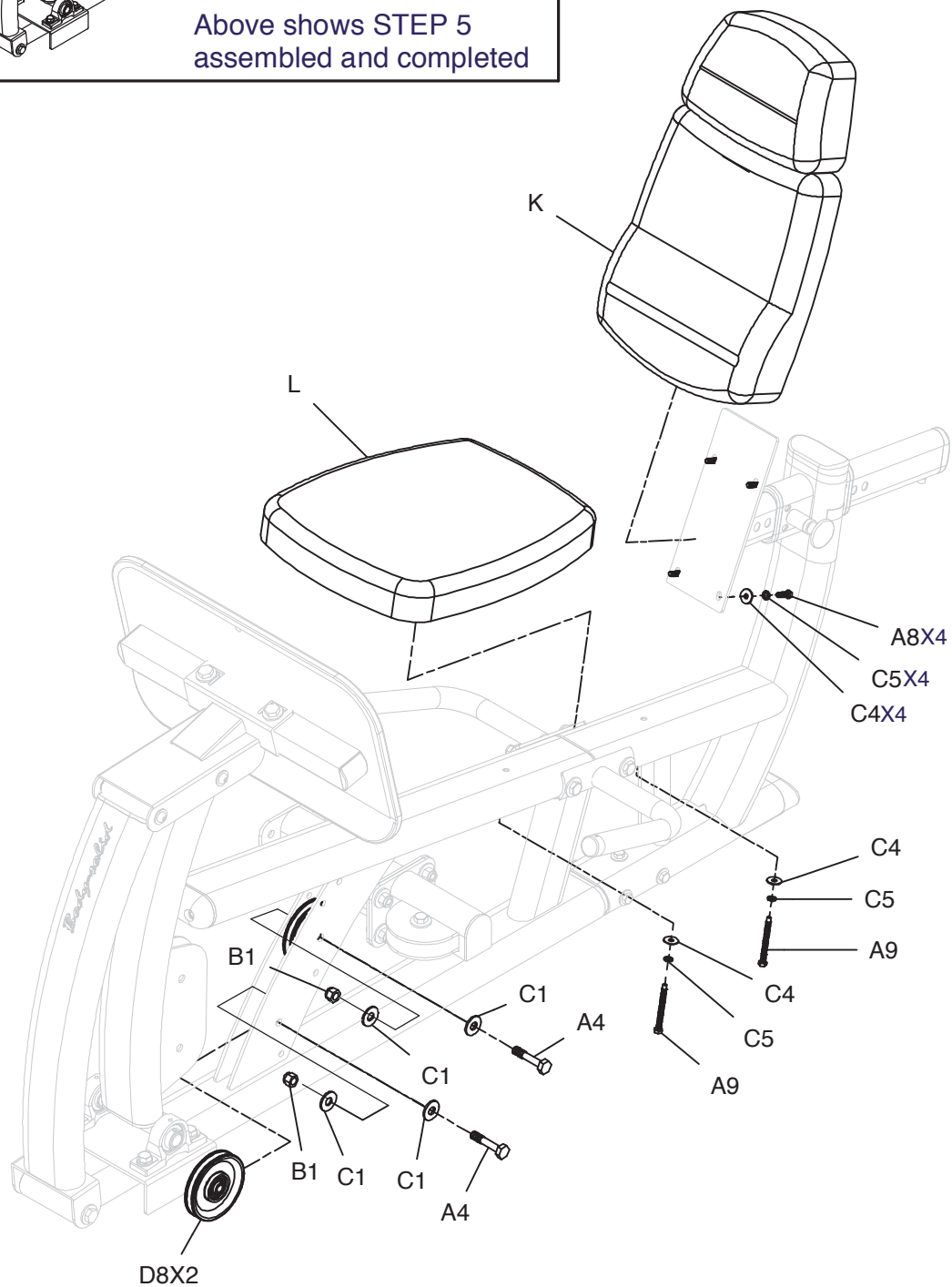
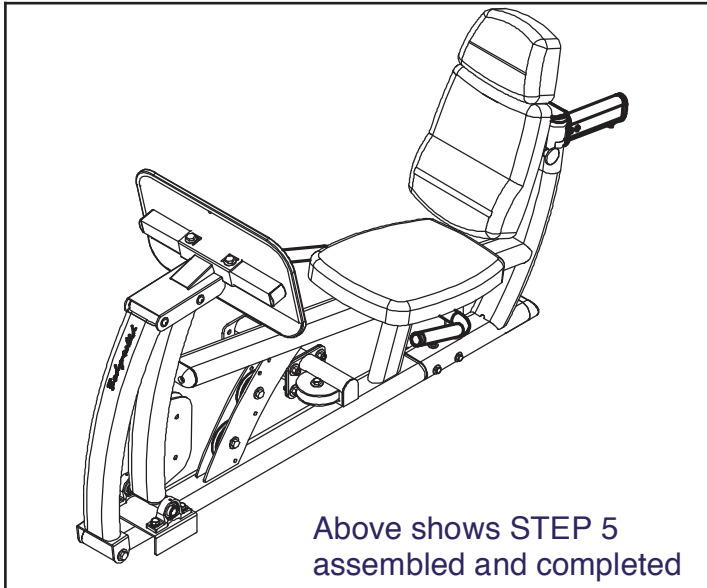
AJ[2PCS]
8321-040

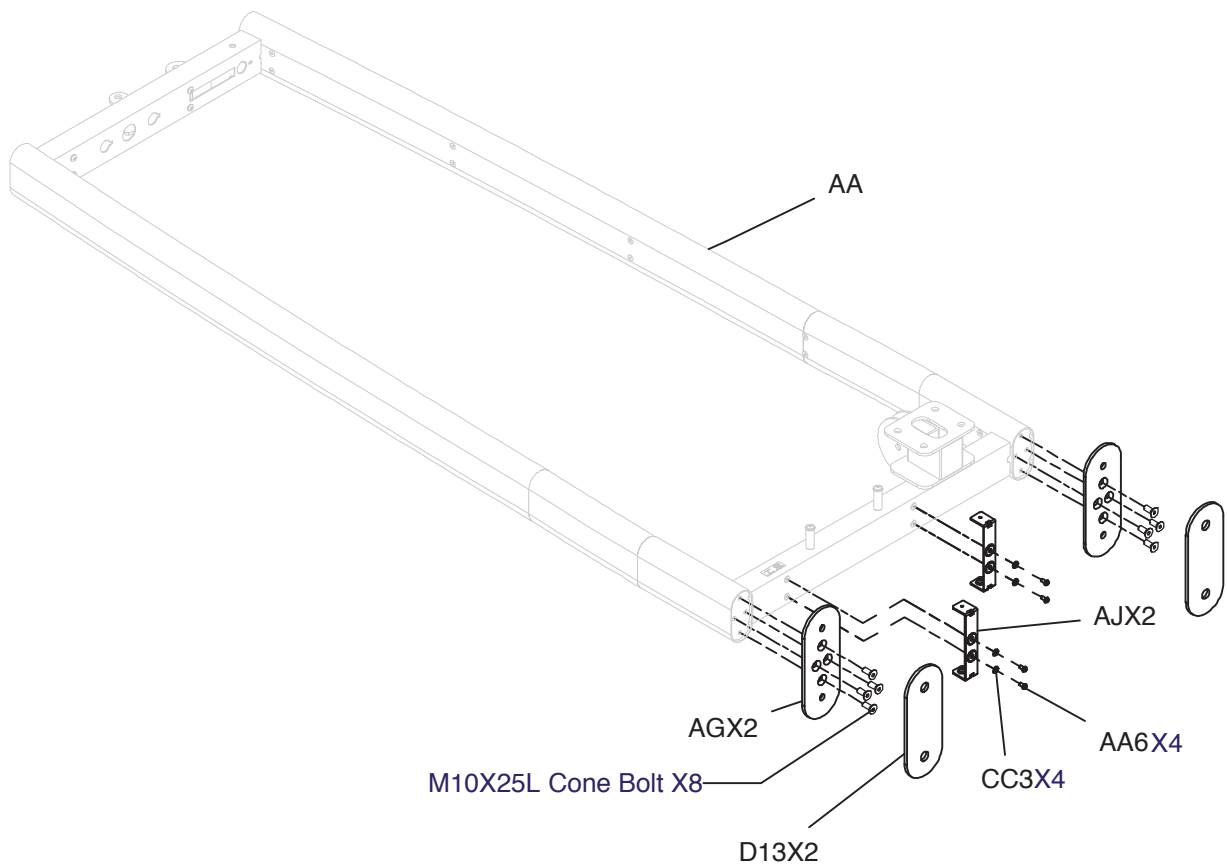
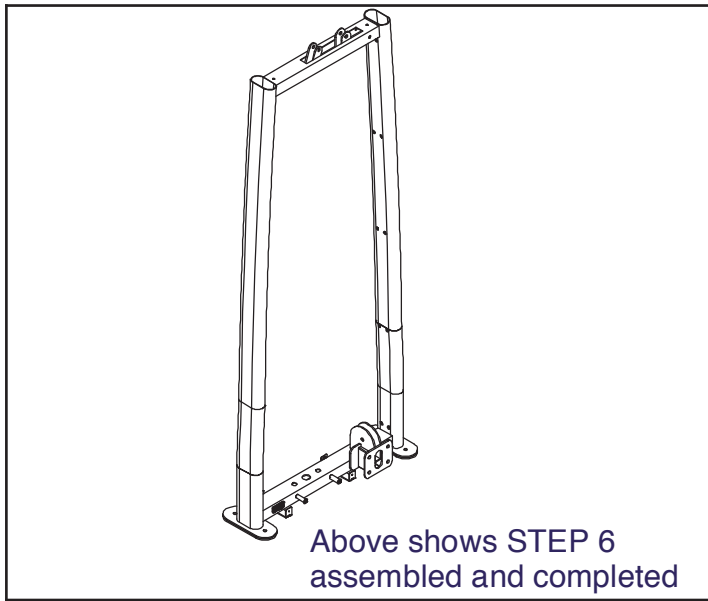


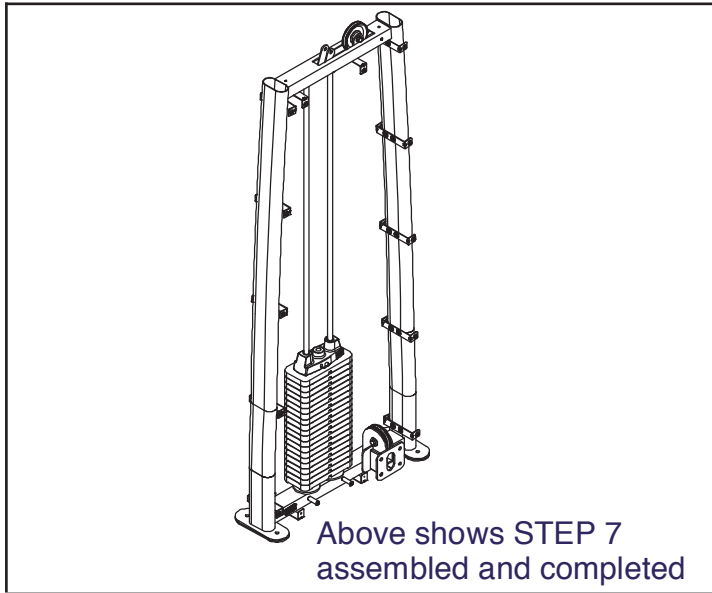




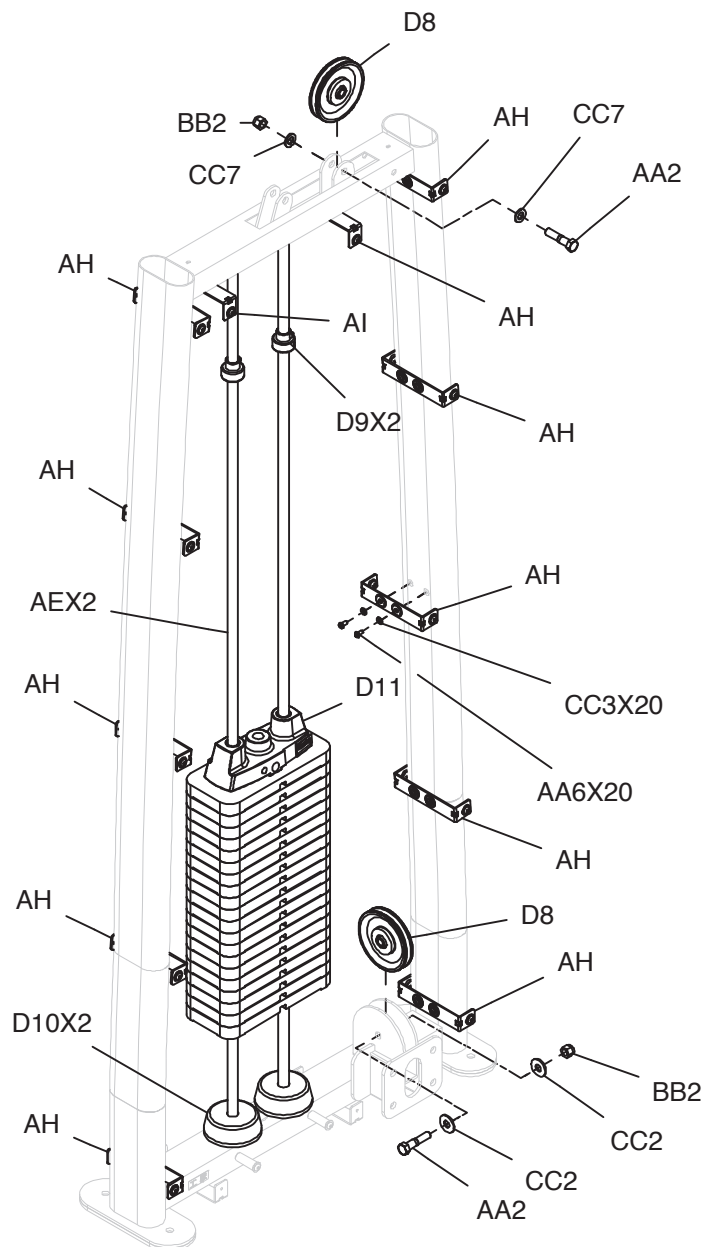


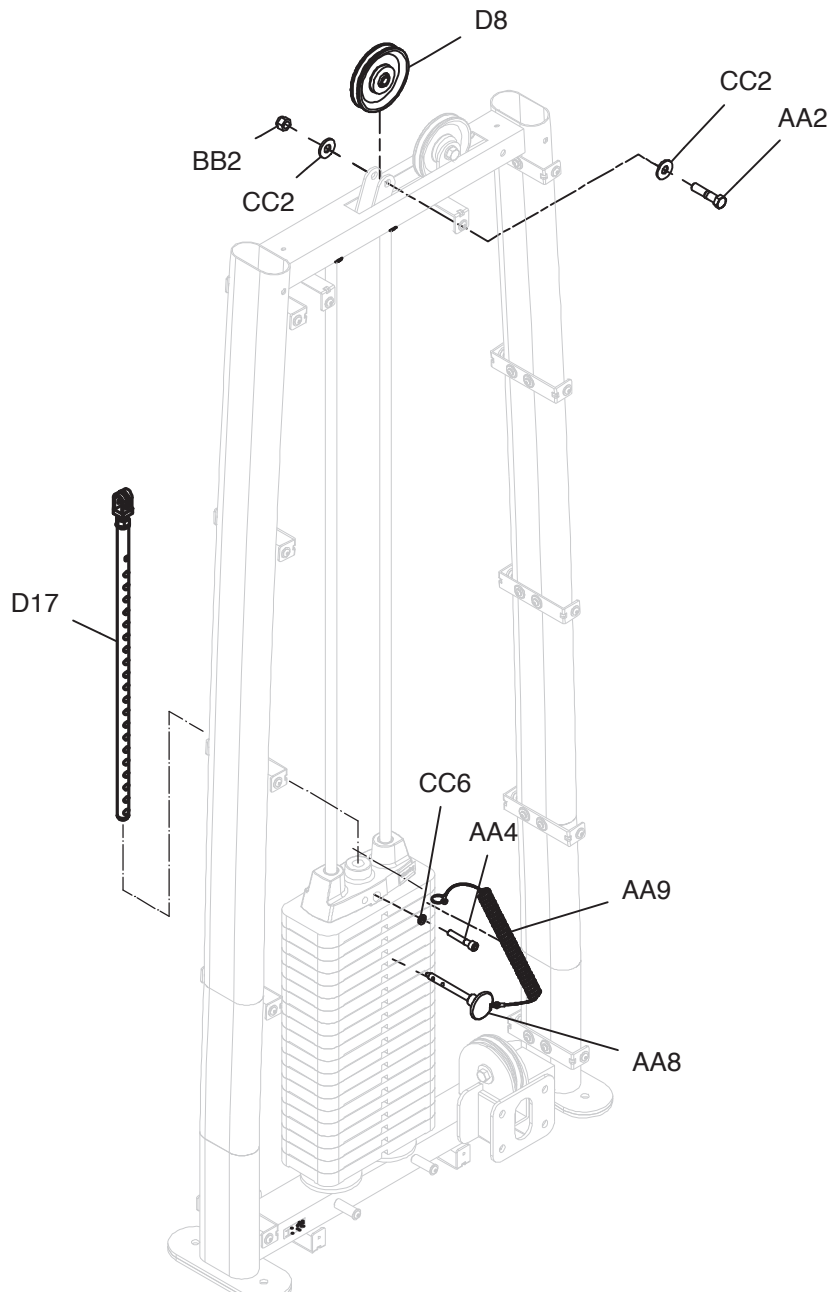
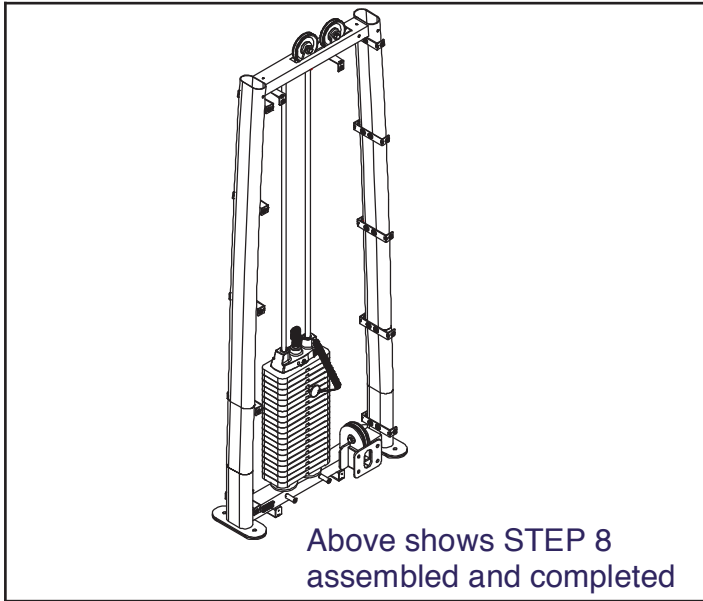


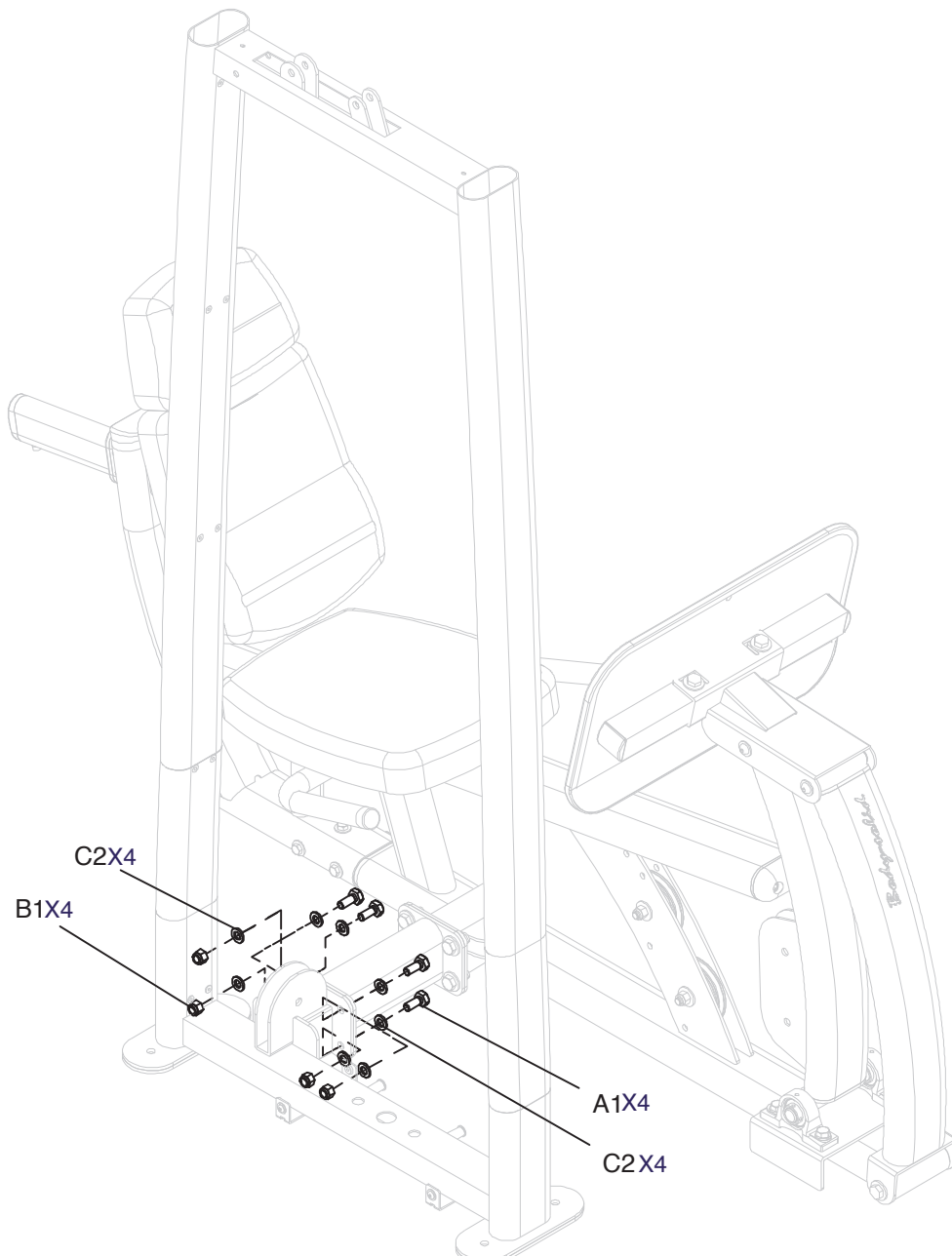
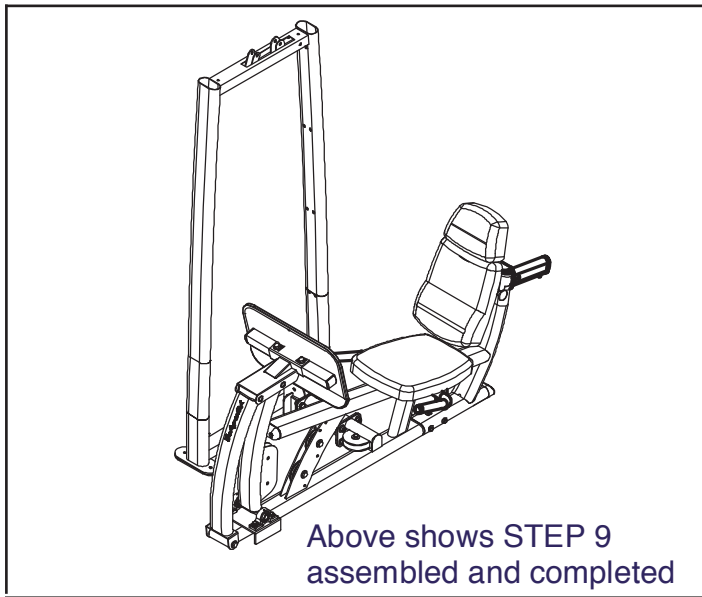


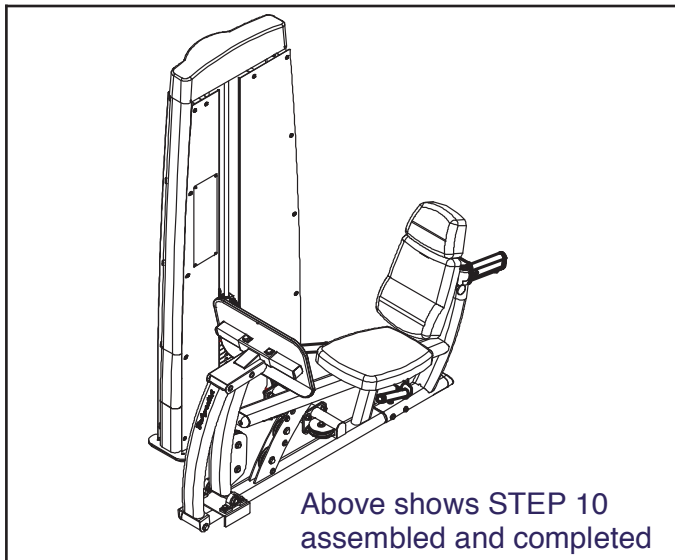


NOTE : FINGER TIGHTEN
 PULLEY FASTENERS
 PULLEYS WILL BE
 REMOVED TO INSTALL CABLE





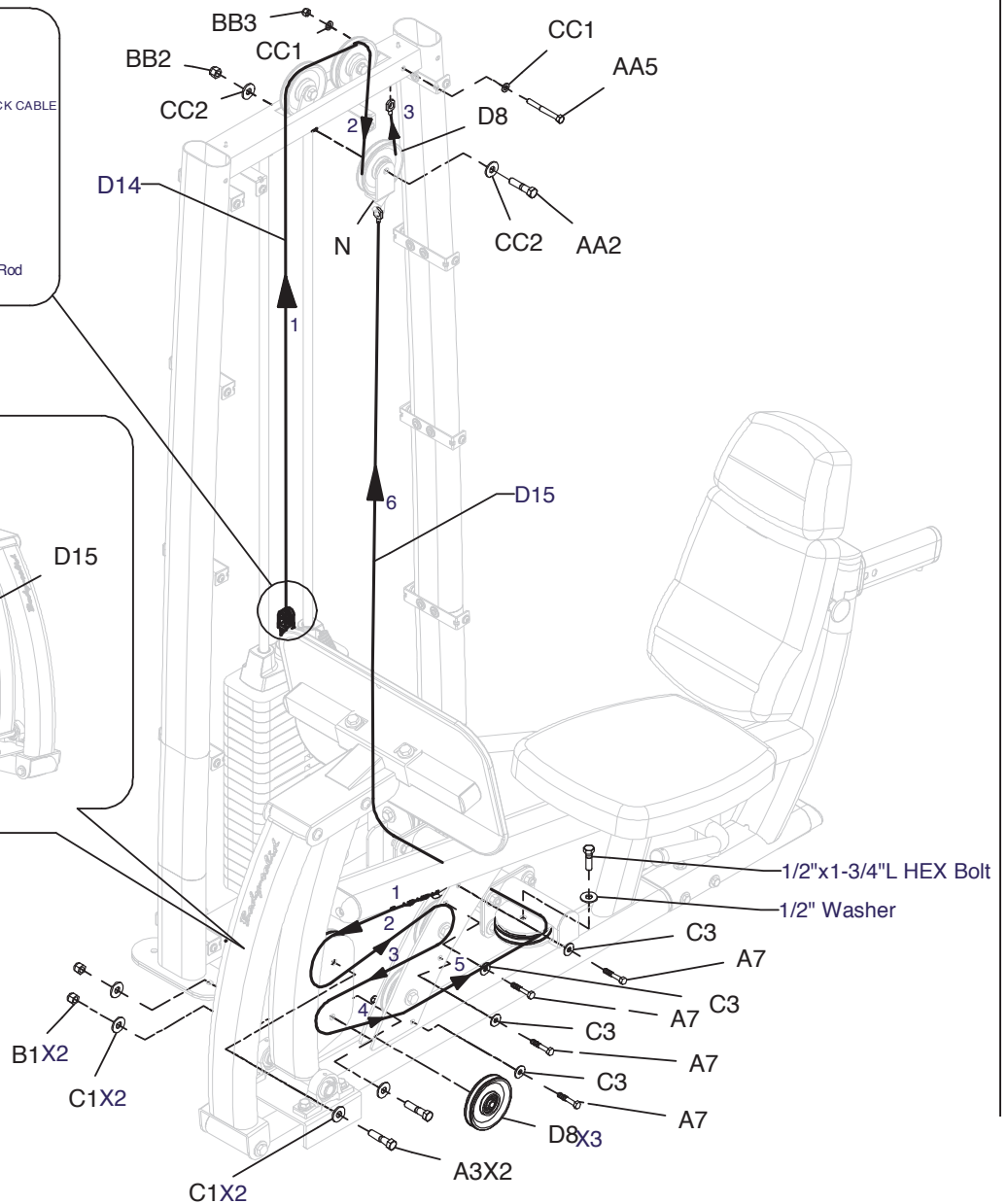
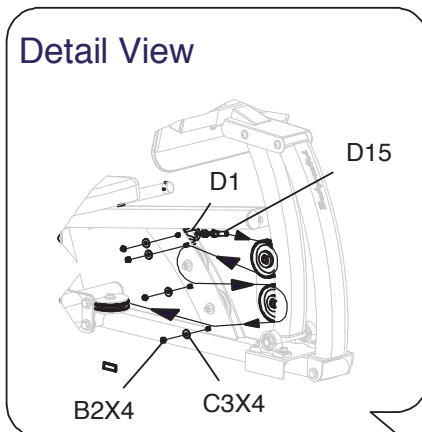
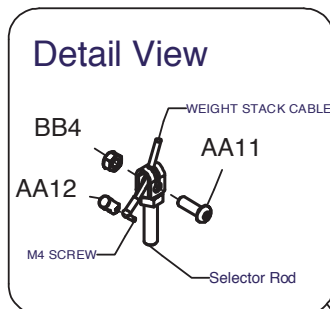


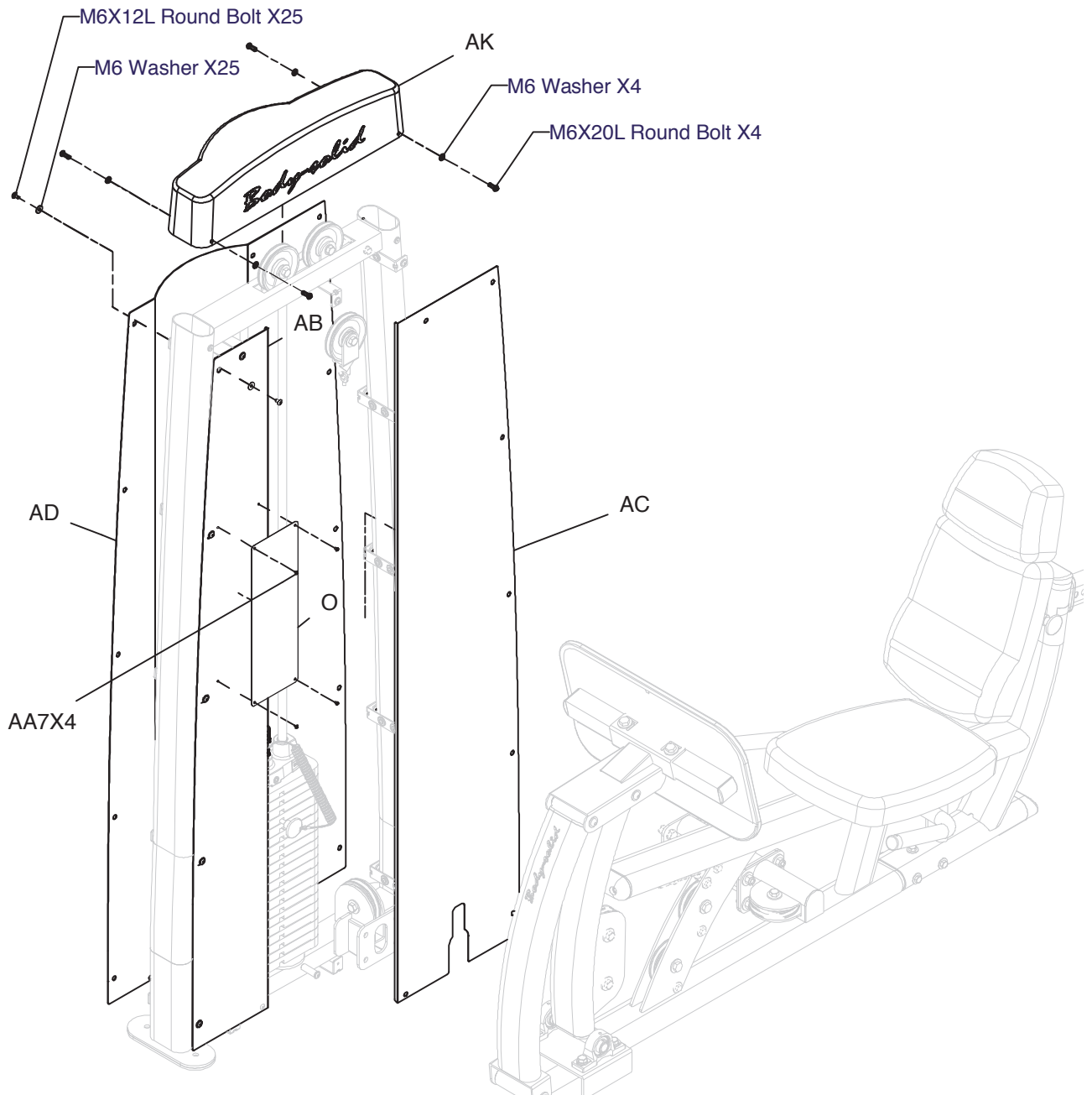
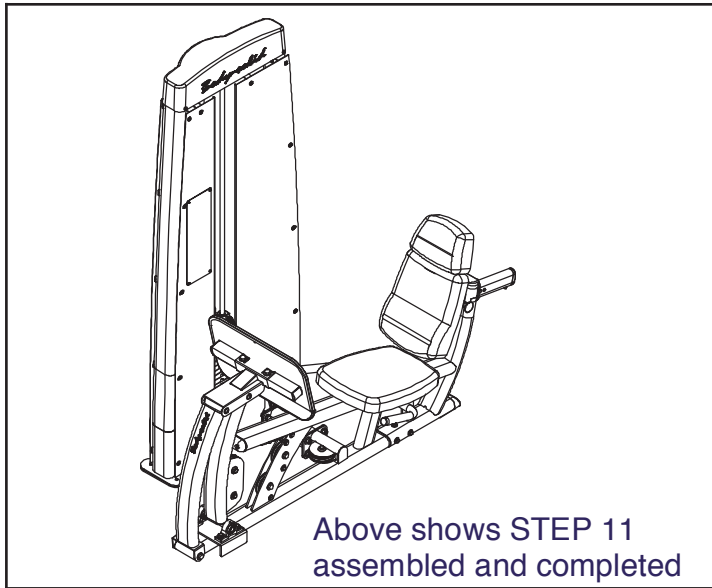


D14.



D15.





Cable to match illustration

