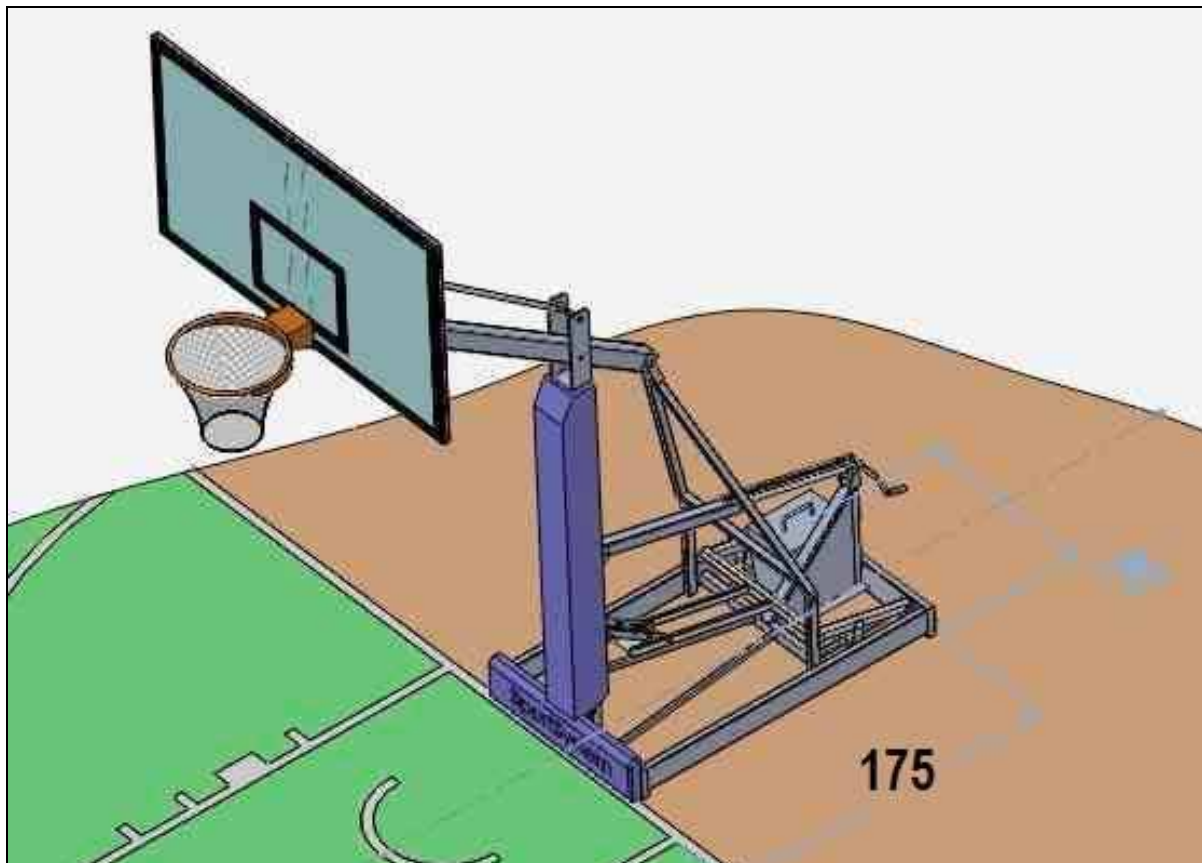
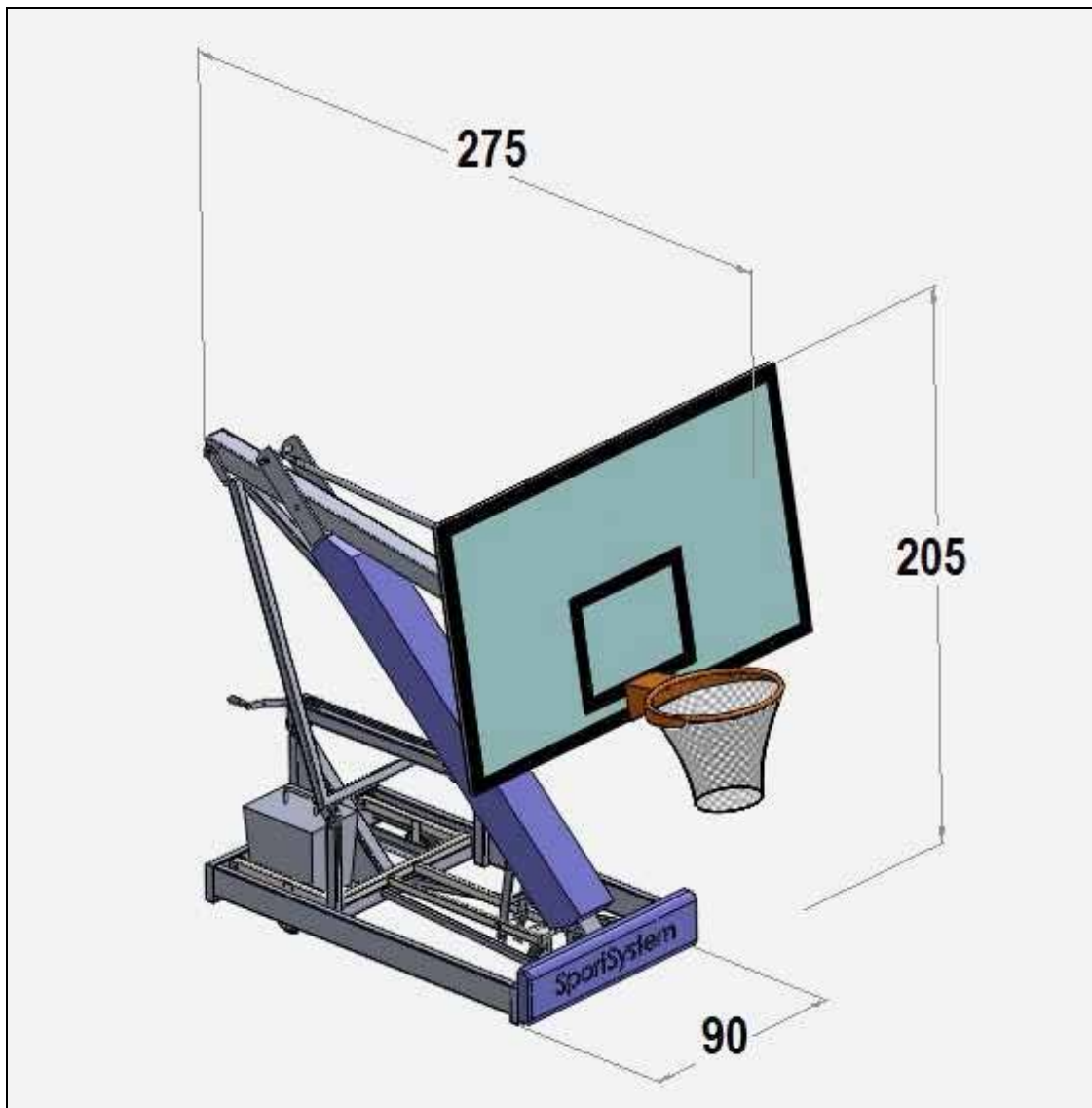


NEW CODE	DESCRIPTION
S04124	<p>Easyplay College portable basketball backstops. Varnished steel tubing structure with short projection of just 125 cm. Backstop's movement on the floor is done by using three rubber wheels incorporated in the system itself, raising and lowering following movement of structure. Space for counterweight (ballast included for 110 kgs made of 2 concrete blocks with handle) on back side of the base. Front protective pads covered with synthetic washable material. Mechanical height adjustment by means of handle with easy setup of mini-basket and basket heights. Equipped with 18 mm chipboard backboards (for indoor use) on varnished steel frames, fixed varnished steel rings and cotton nets. To be fixed to the floor with screws during use.</p>





**WARNING:**

This basketball units must be used for the purpose it was designed for.
Structure must be fixed to the floor while using.
It is forbidden to climb on the basketball backstop.
It is forbidden to hang on the basketball ring.
The unit must always be correctly installed to the ground and fixed in its components.

MAINTENANCE:

No special maintenance is needed. Manufacturer suggests to check status of screws and tighten them periodically (6-8 months).