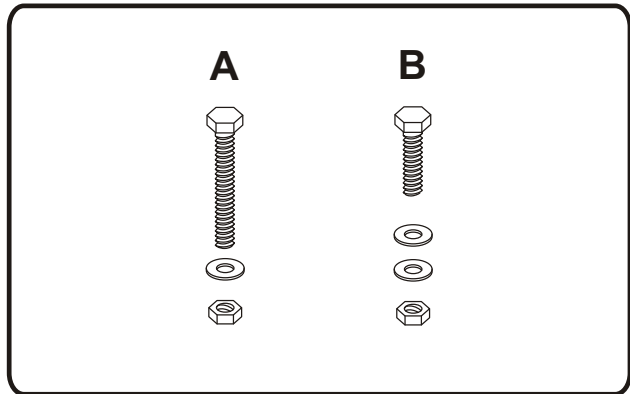
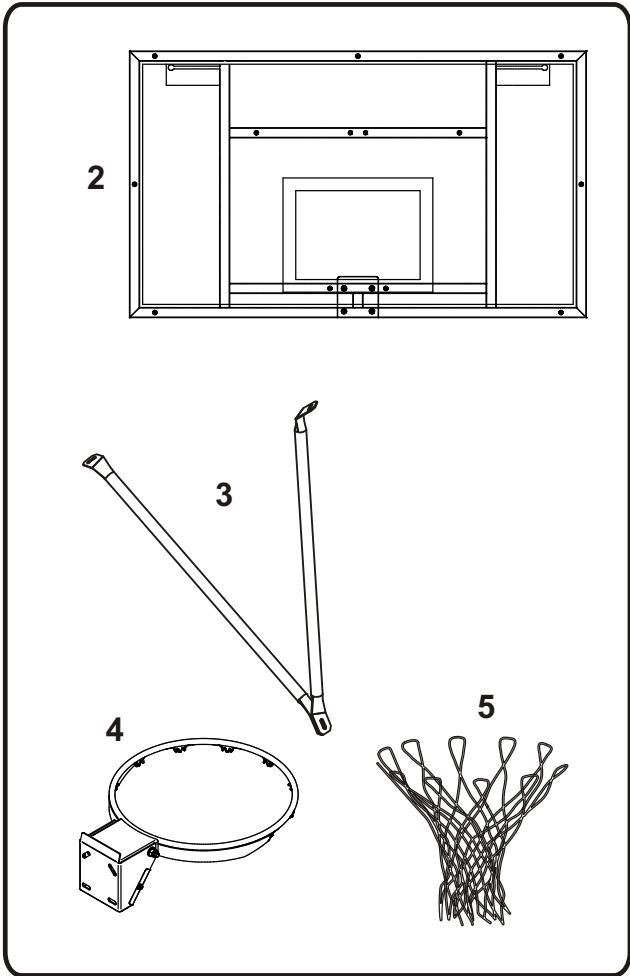
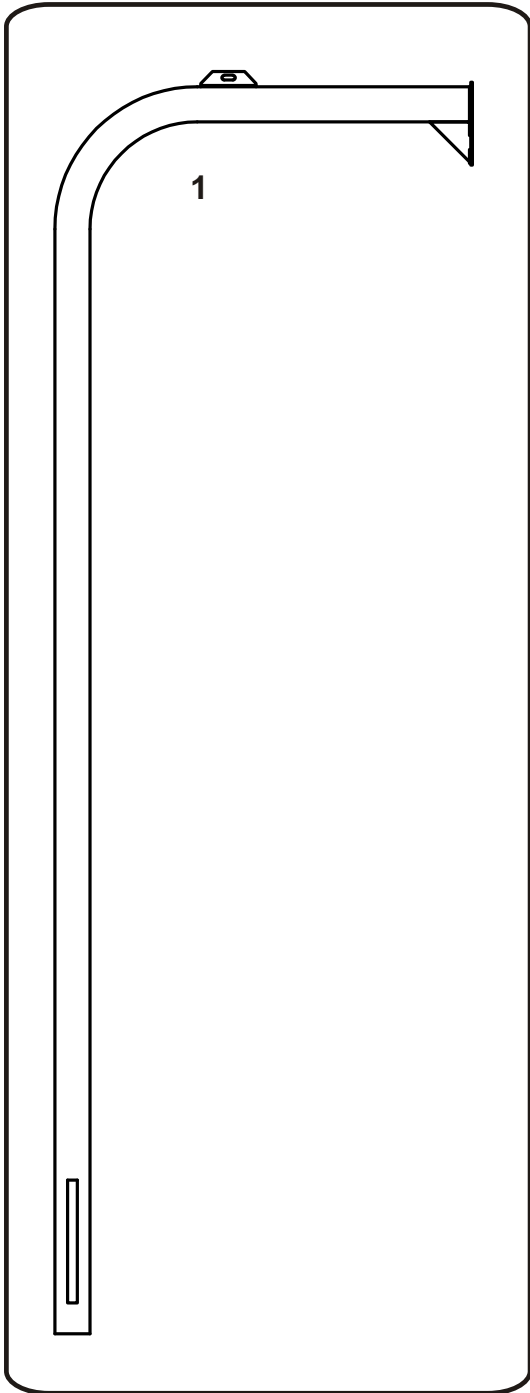
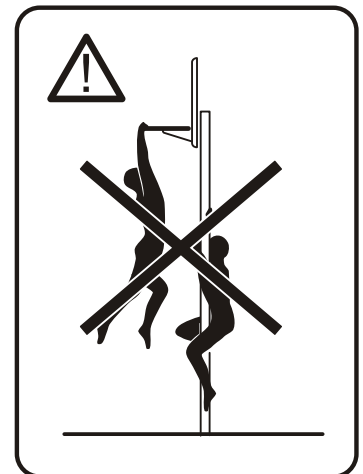
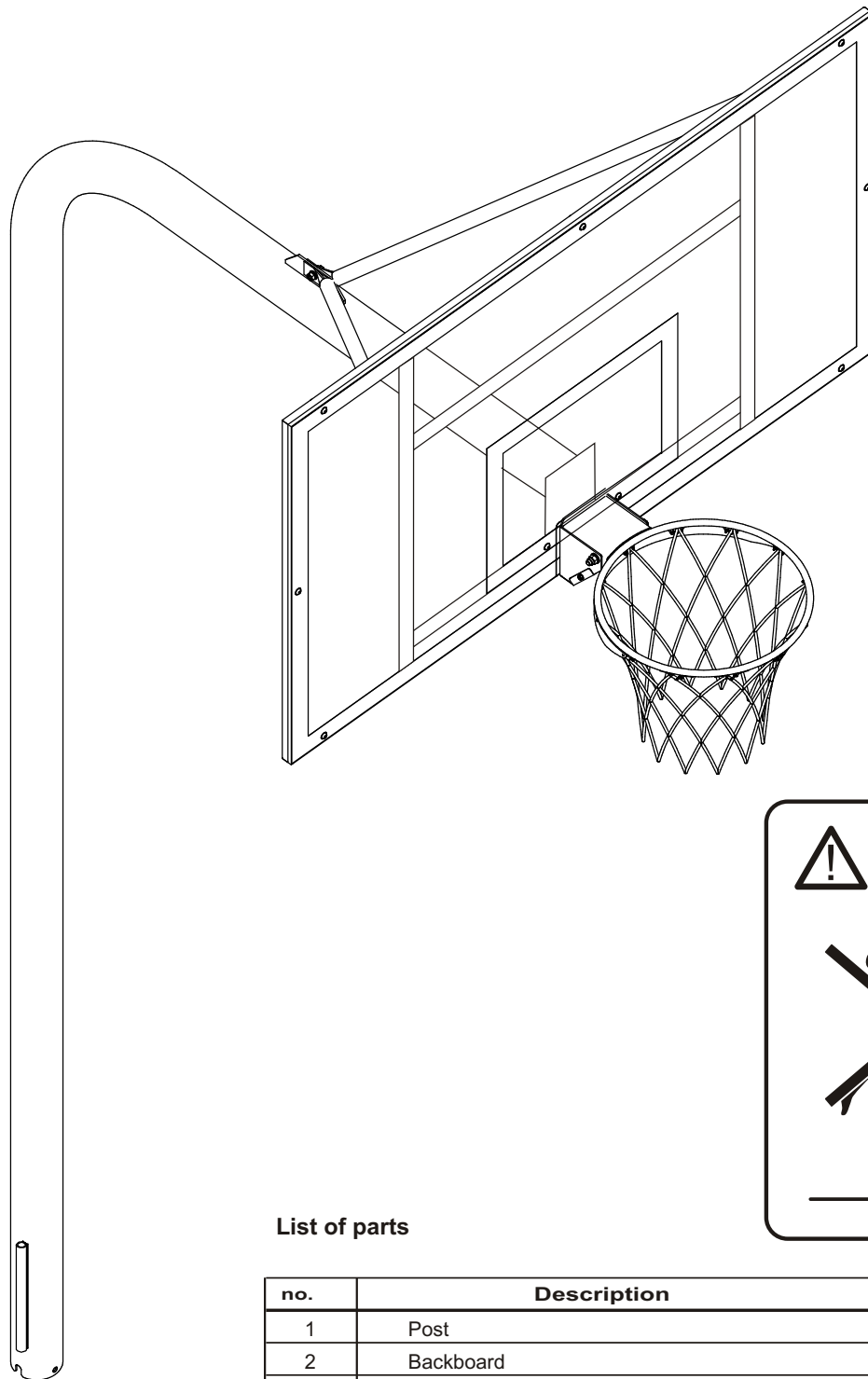




X/17 **Gooseneck 640**
 with extension 160 cm into concrete





List of parts

no.	Description	pcs.
1	Post	1
2	Backboard	1
3	Backboard's support	2
4	Goal	1
5	Net	1
A	Screw M10x60	4
B	Screw M10x30	3
A/B/C	Washer 10,5	8
A/B/C	Nut M10	7

