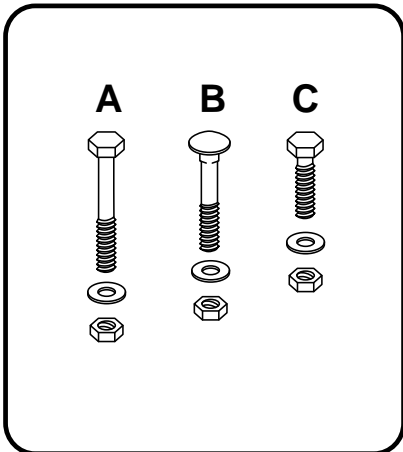
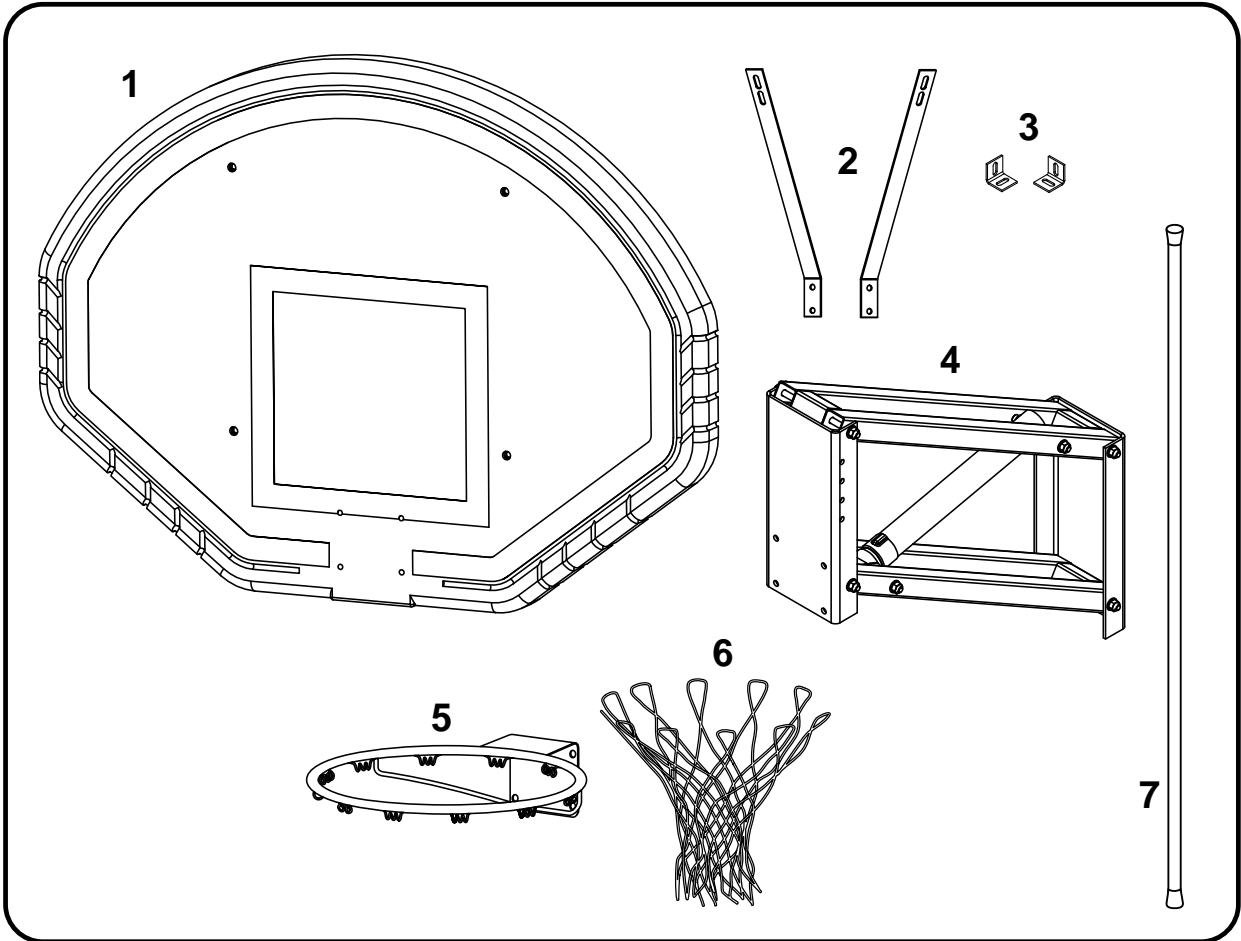
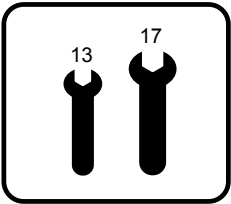
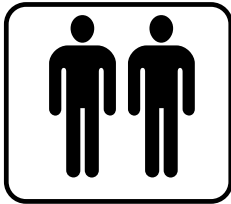




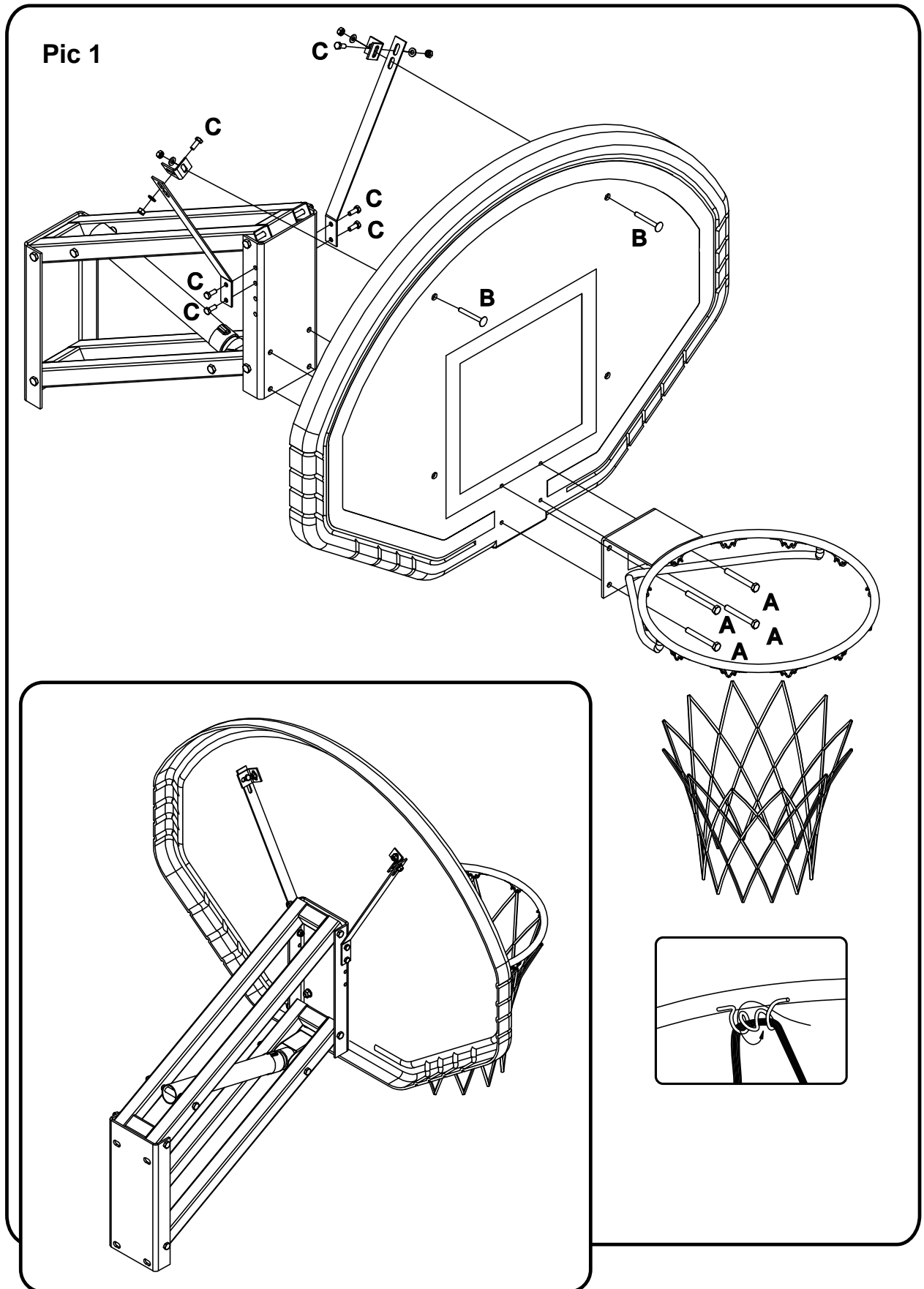
B6165



Parts check list

No.	Name	Quantity
1	Backboard Model 169	1
2	Backboard's support tube	2
3	Angle bracket	2
4	Extension arm	1
5	Goal	1
6	Net	1
7	Pipe to change the height*	1
A	M10x80 Bolt	4
B	M8x60 Carriage Bolt	2
C	M8x20 Bolt	6

* Optional



Pic 2

Assembly of wall bracket - holes pattern.

