

# Assembly instruction

## Ground fixing systems

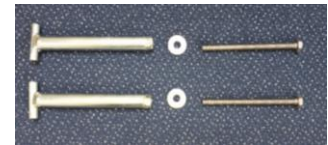
### for freestanding goals

Cat. - no.: F1979



## 1. Scope of delivery:

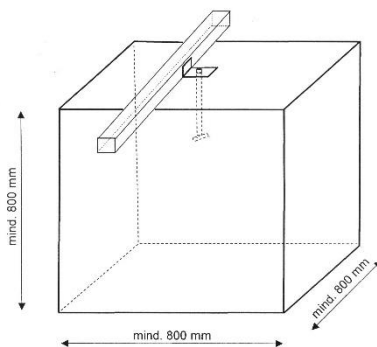
Piece	Description
2	Ground anchor
2	Hexagon socket screw DIN 933, M10 x 140mm
2	Washer DIN 9021, Ø 10.5mm x 30mm



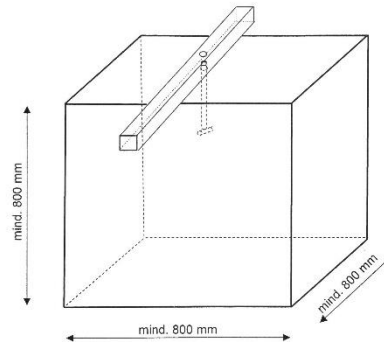
## 2. Installation:

- a) Concrete anchor, thread facing upwards. The upper end of the anchor has to be flush with the upper edge of the flooring material.

Ground anchoring with welded plate:



Ground anchoring at ground tube:



- b) For each ground anchoring we recommend foundations of at least 800 x 800mm, depth 800mm.  
The foundation drawings are only for illustrative purposes. The necessary construction and the installation of the foundations must be individually depending on the local conditions and the planned ground structures executed by a specialized company.
- c) Do not use an accelerating admixture or antifreeze as these may cause damages of the anchors and thus becoming a security risk.
- d) The number of necessary anchors and their positions refer to the equipment to be fixed (i.e. number of plates/fixing points at the goal and the distance between them).
- e) After setting of concrete place plate/fixing point of the goal upon the thread, add washer DIN 9021, Ø 10.5 x 30mm and machine screw DIN 933 M10 x 140 and tighten it with a socket wrench (not part of the delivery).  
If not in use, screw the machine screw into the ground anchorage as a cover to protect it against dirt.