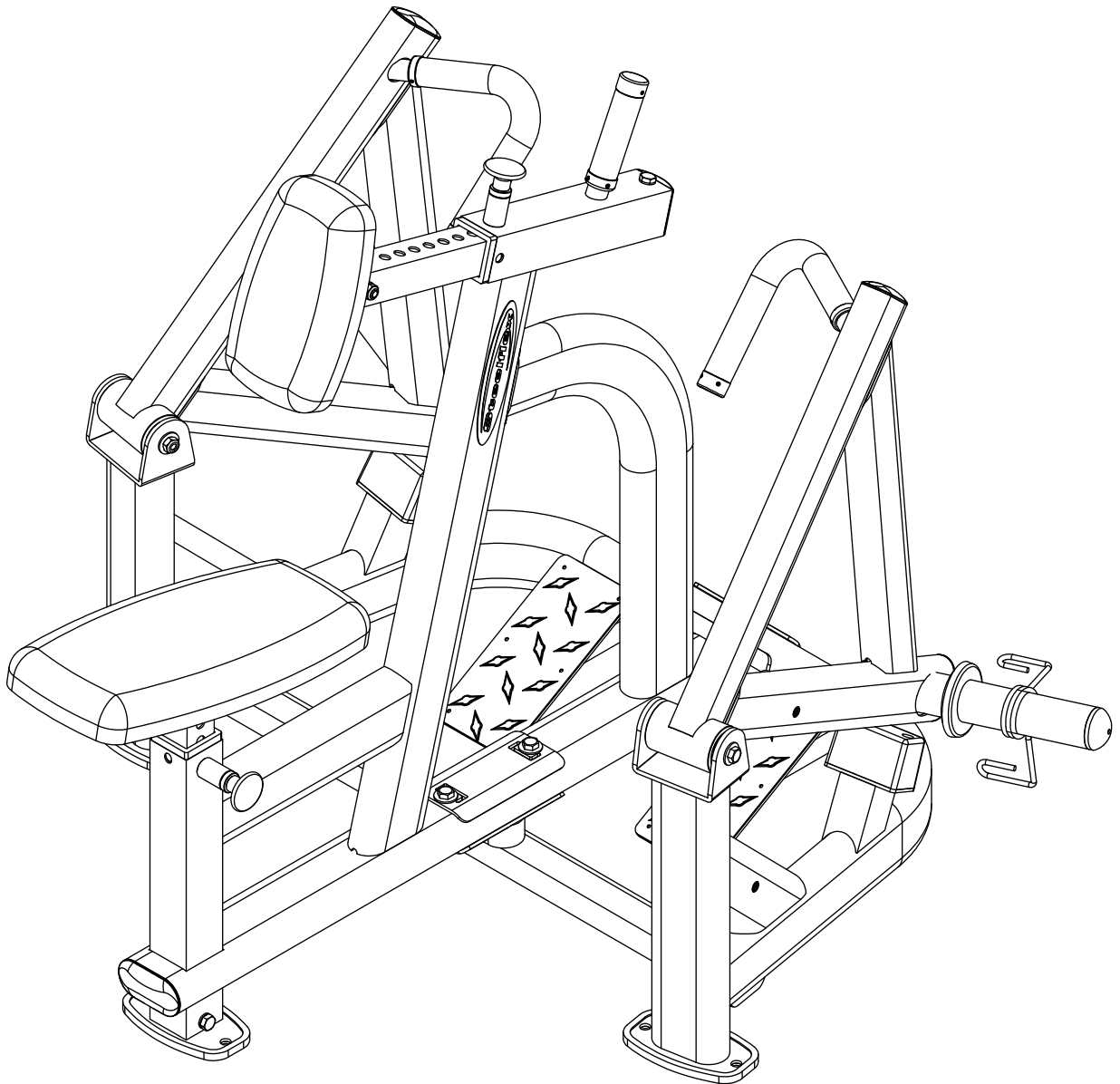


PLSR.5

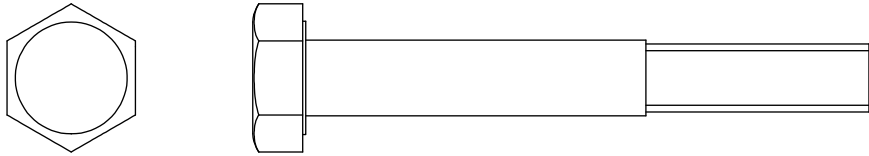


Assembly & Instructions
OWNER'S & MANUAL

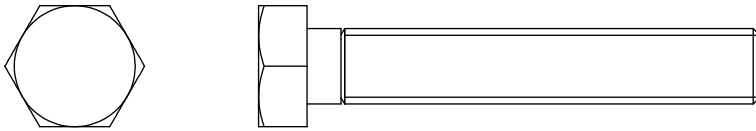
PLSR.5 HARDWARE

(shown in actual size)

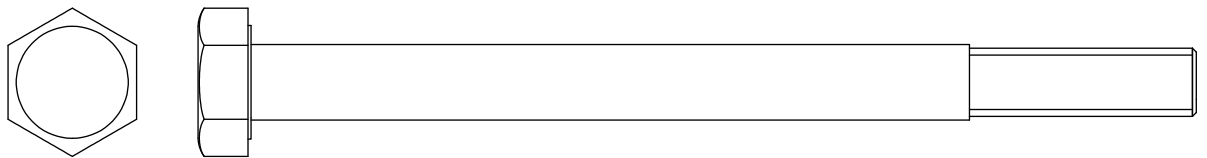
A1. M10x75 HEX HEAD SCREW...8PCS (Pre-installed 2PCS)



A2. M10x60 HEX HEAD SCREW...2PCS



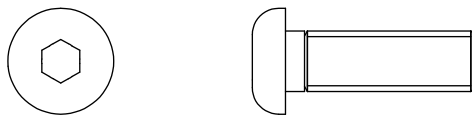
A3. M10x125 HEX HEAD SCREW...2PCS



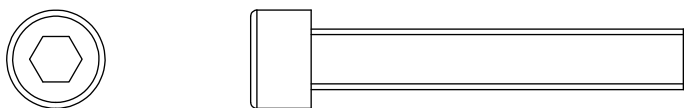
A4. M10x16 ALLEN SCREW(FULL THREAD)...2PCS (Pre-installed)



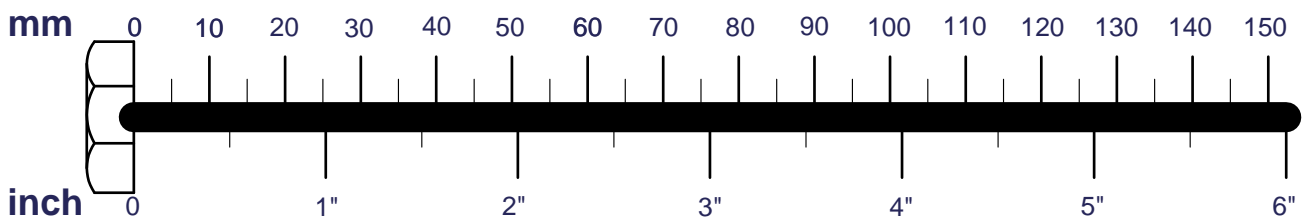
A5. M8x25 ALLEN SCREW...8PCS



A6. M8x50 SOCKET SCREW(FULL THREAD)...4PCS



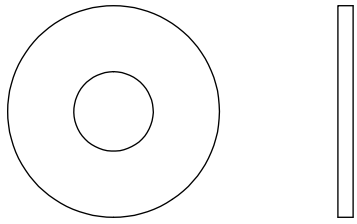
A7.M5X5 GRUB SCREW...12PCS (Pre-installed)



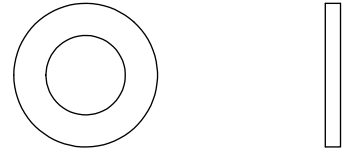
PLSR.5 HARDWARE

(shown in actual size)

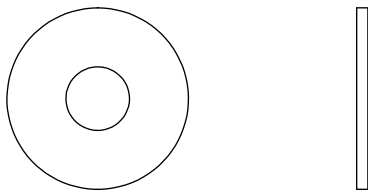
C1. M10 WASHER(Ø28)...12PCS



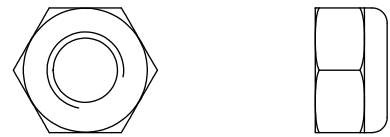
C3. M10 WASHER(Ø19)...6PCS (Pre-installed)



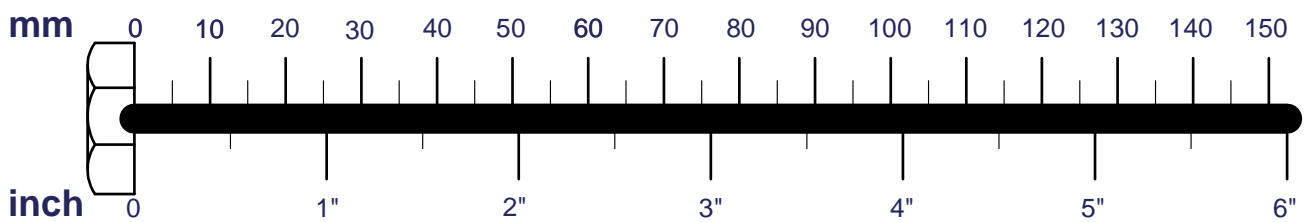
C4. M8 WASHER(I.D.)...8PCS



B1. M10 NYLON LOCK NUT...12PCS
(Pre-installed 2PCS)

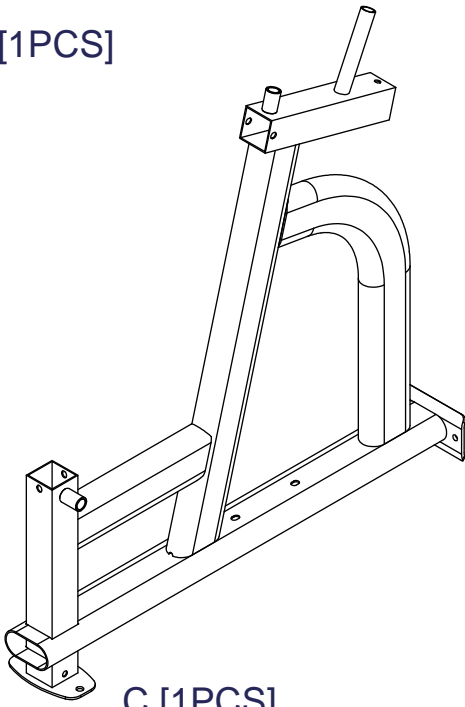


C5. M8 SPRING WASHER...8PCS

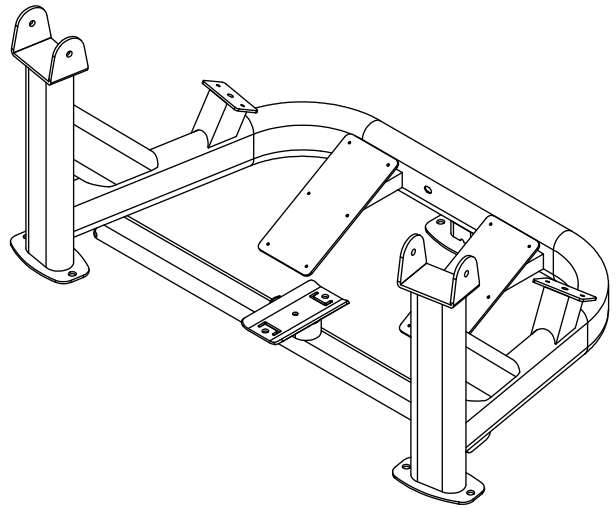


PLSR.5 PARTS

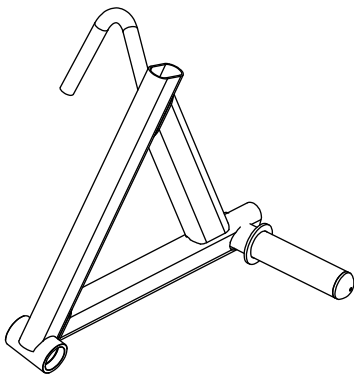
A [1PCS]



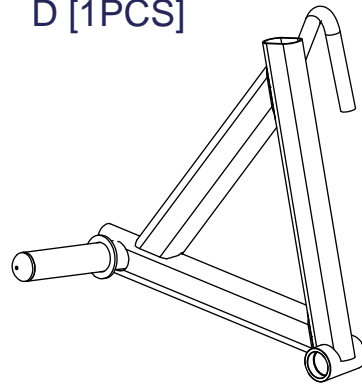
B [1PCS]



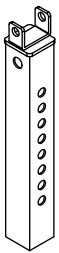
C [1PCS]



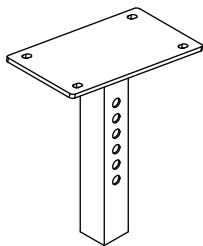
D [1PCS]



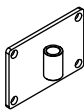
F [1PCS]



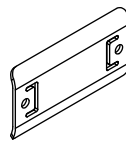
G [1PCS]



H [1PCS]



J [2PCS]
8323-234



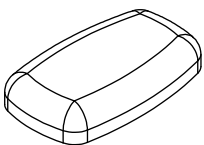
L [1PCS]
8830-022
(Pre-installed)



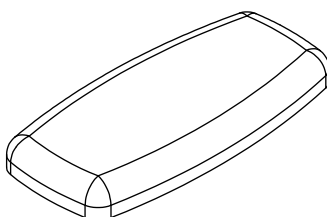
K [1PCS]
8830-024
(Pre-installed)



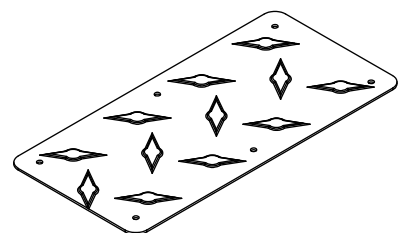
N [1PCS]
9111-073



M [1PCS]
9121-078

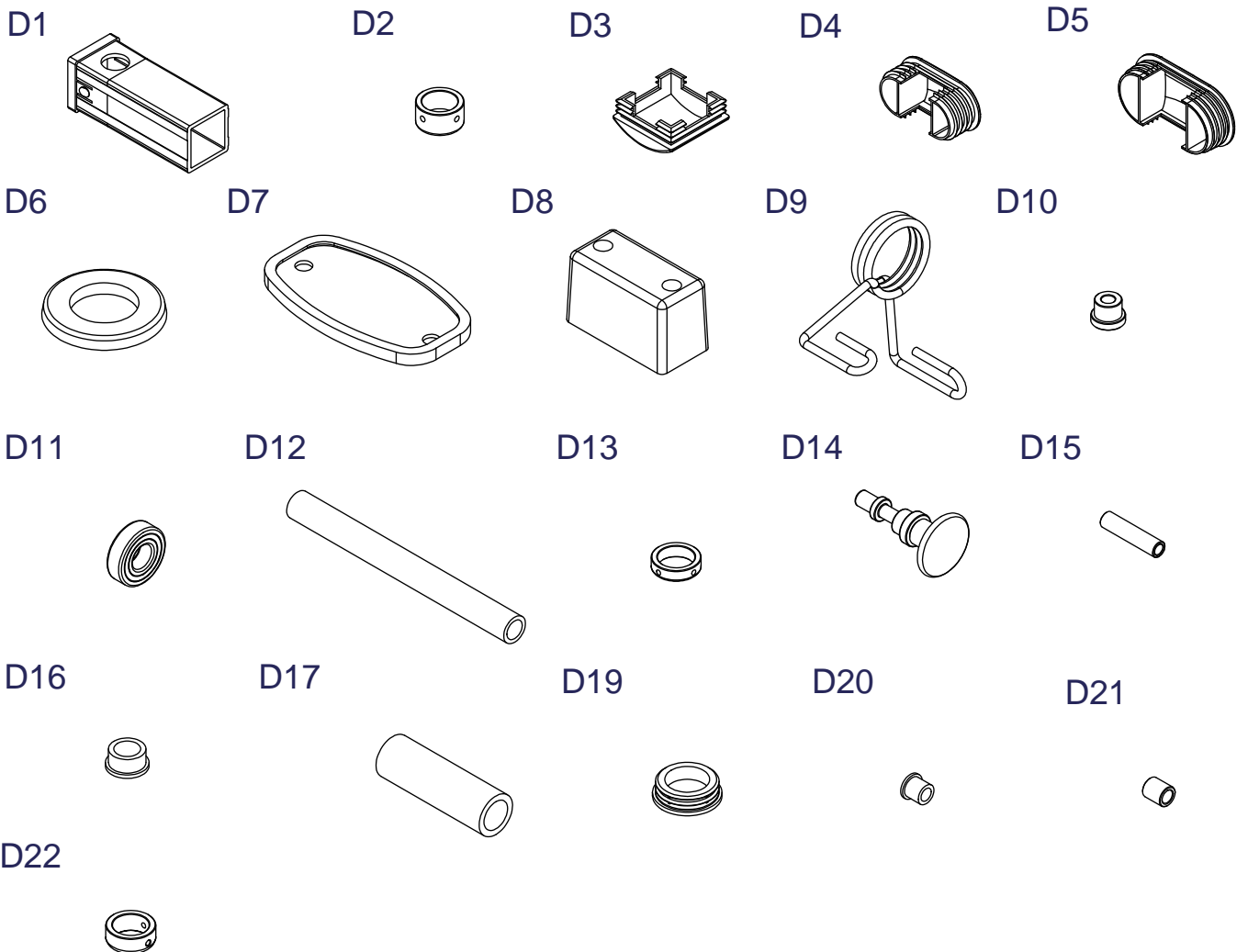


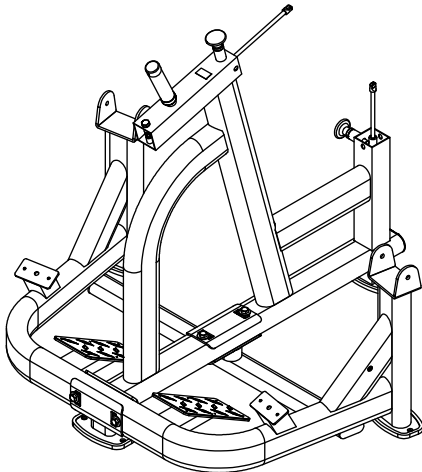
Q [2PCS]
8360-178



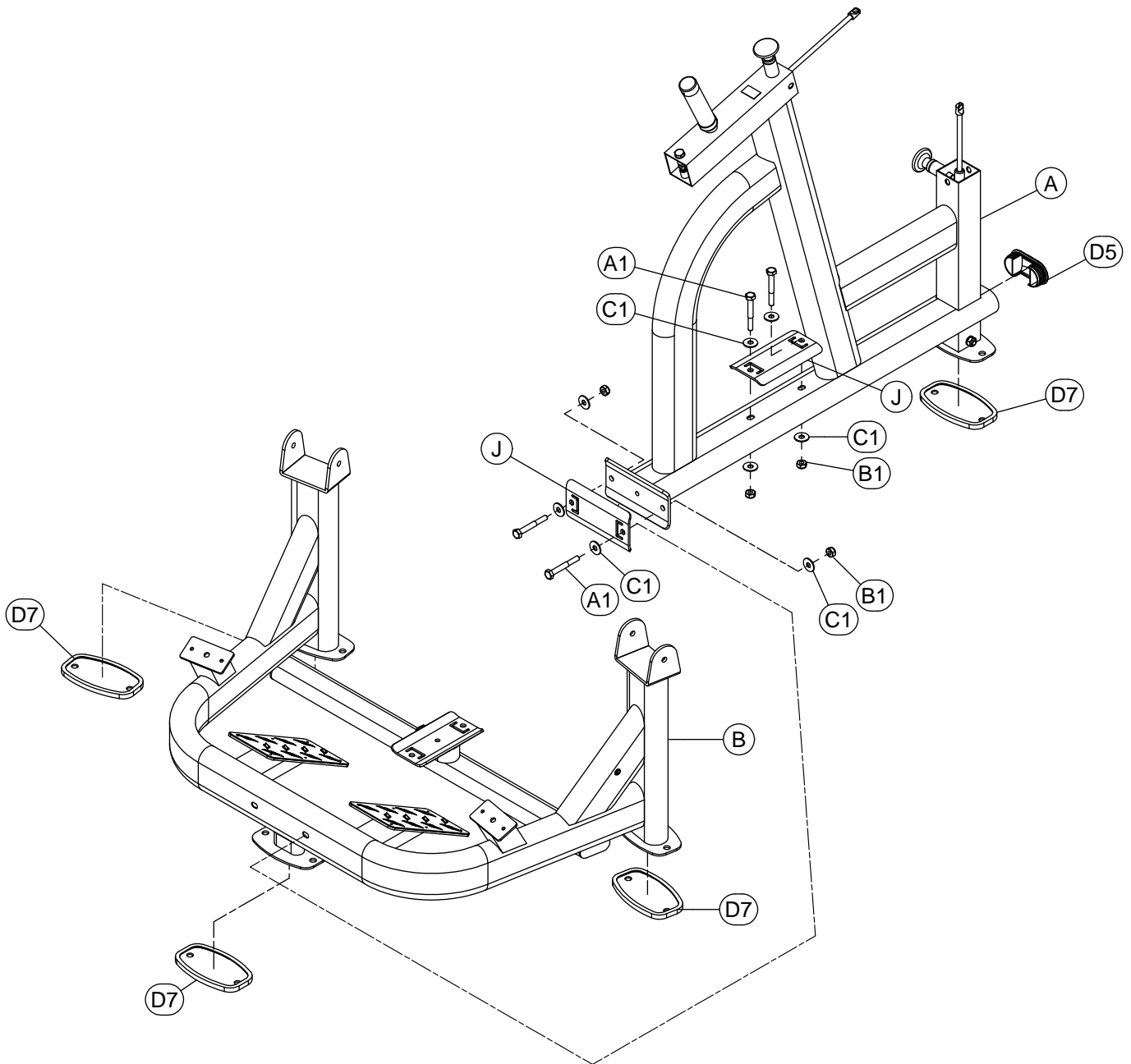
PLSR.5 PARTS

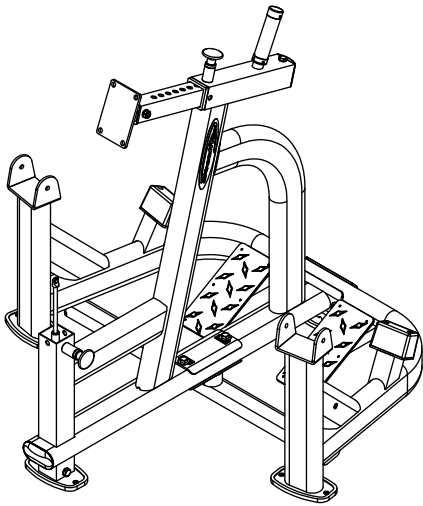
D1. Nylon Bushing (9211-047)	[2PCS]
D2. Chrome collar (8890-061) pre-installed.....	[3PCS]
D3. CONVEX END DAP (9211-092)	[1PCS]
D4. 40x80 End Cap (9211-192)	[4PCS]
D5. 50x100 END CAP (9211-193)	[1PCS]
D6. Rubber Dount (9310-016)	[2PCS]
D7. Rubber Insert (9310-076)	[4PCS]
D8. Block Rubber (9310-077)	[2PCS]
D9. Pinch Cock (OC-06)	[2PCS]
D10. Pulley Spacer (8120-082) pre-installed	[4PCS]
D11. Bearing (8510-020) pre-installed	[4PCS]
D12. Impregnated With Handle (9162-101) pre-installed	[2PCS]
D13. Chrome collar (8130-254) pre-installed	[2PCS]
D14. 1/2"X38L POP PIN (8250-065G) pre-installed	[2PCS]
D15. Shaft (8260-048) pre-installed	[1PCS]
D16. Oilite Bushing (8520-001) pre-installed	[2PCS]
D17. Impregnated With Handle (9162-120) pre-installed	[1PCS]
D19. Ø50 End Cap (9211-020)	[2PCS]
D20. Pulley Spacer 5/8OD X3/8" X5/8"L(8530-009).....	[4PCS]
D21. Pulley Spacer(8110-079) pre-installed.....	[2PCS]
D22. Chrome collar (8130-253) pre-installed	[1PCS]



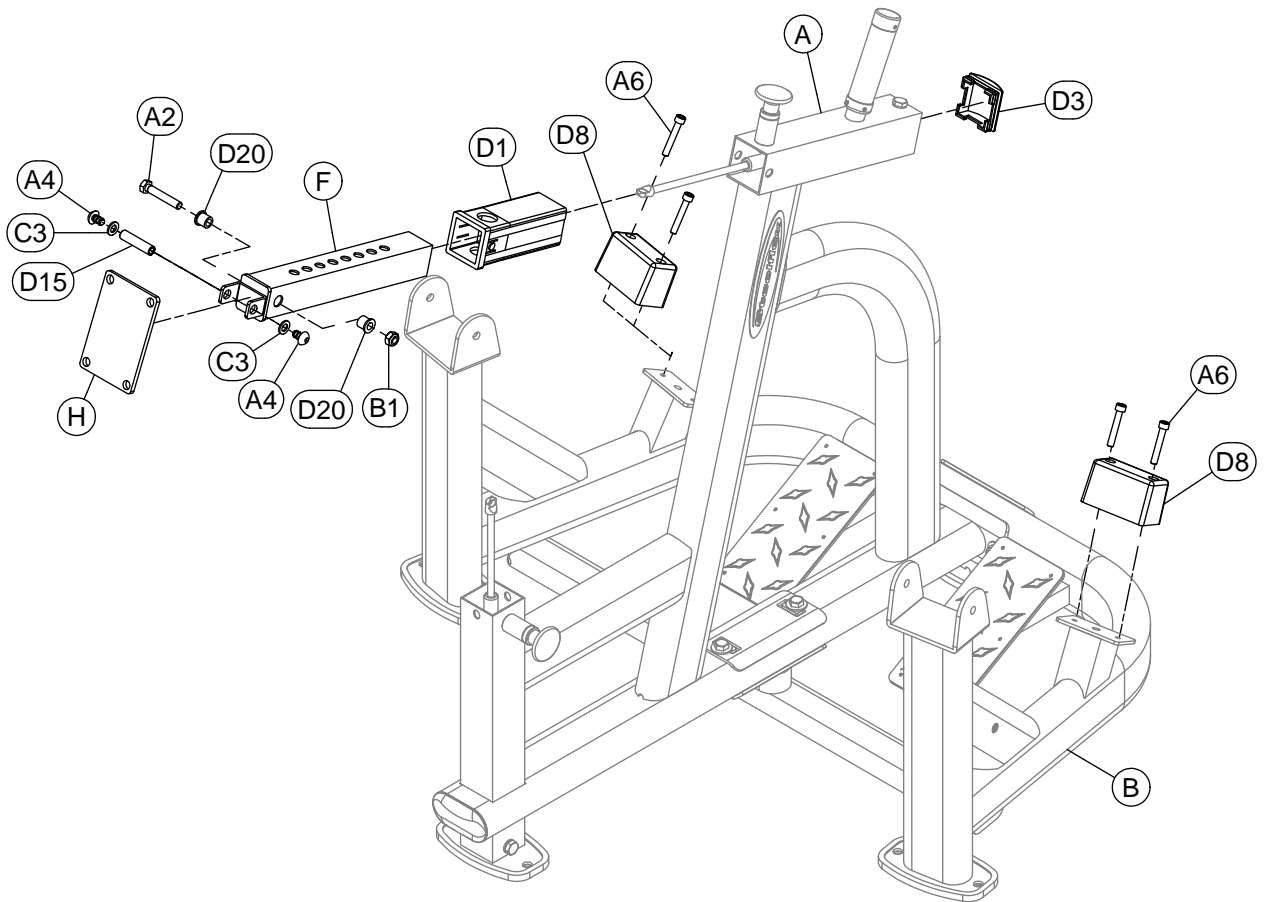


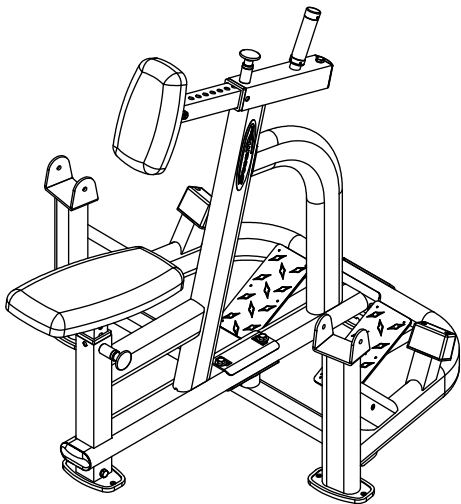
Above shows STEP 1 assembled and completed



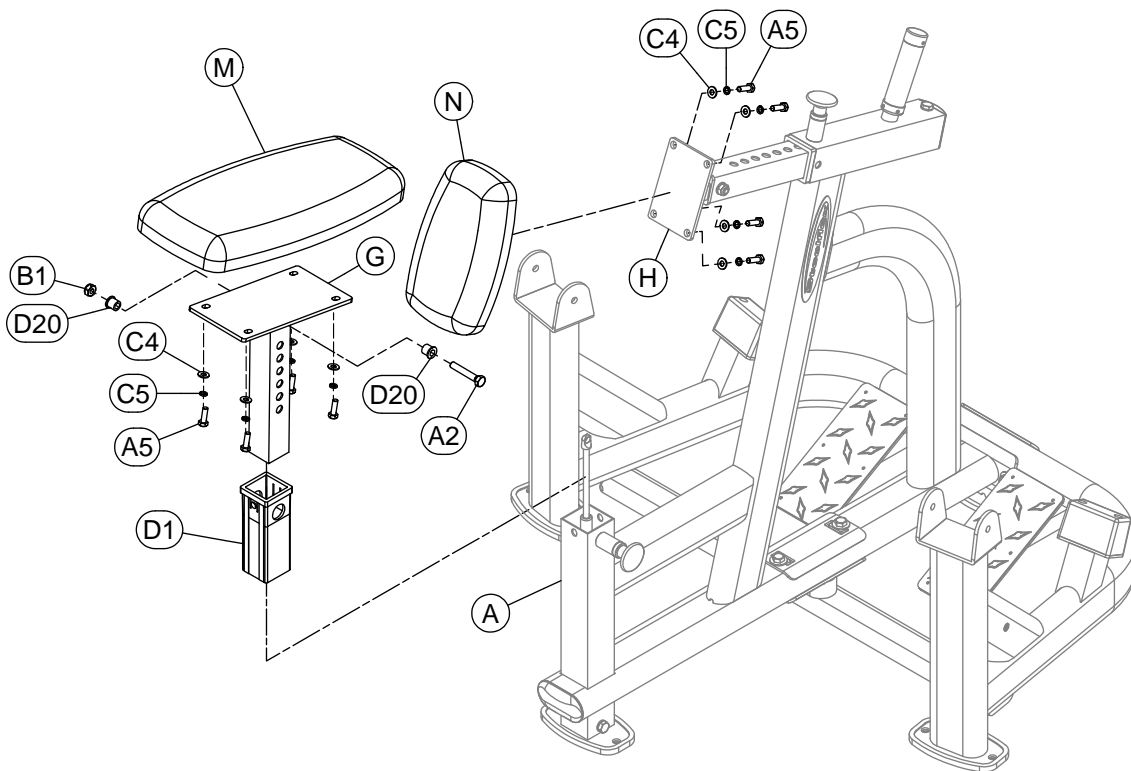


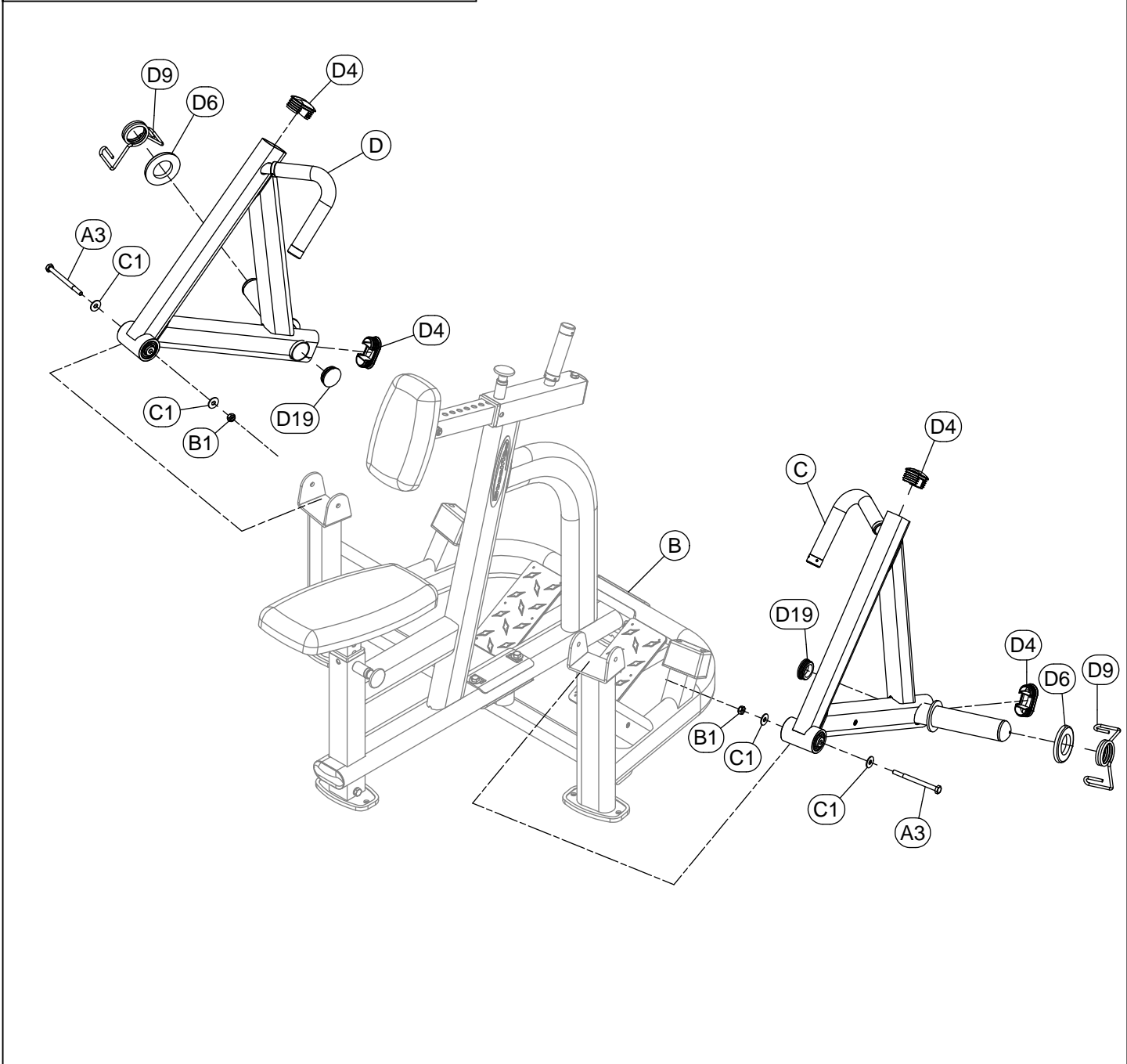
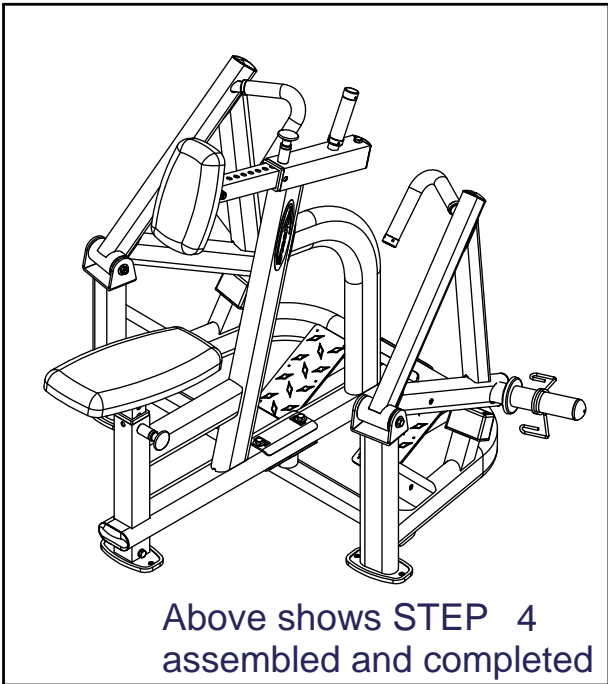
Above shows STEP 2 assembled and completed





Above shows STEP 3 assembled and completed





PLSR.5

Exploded View

