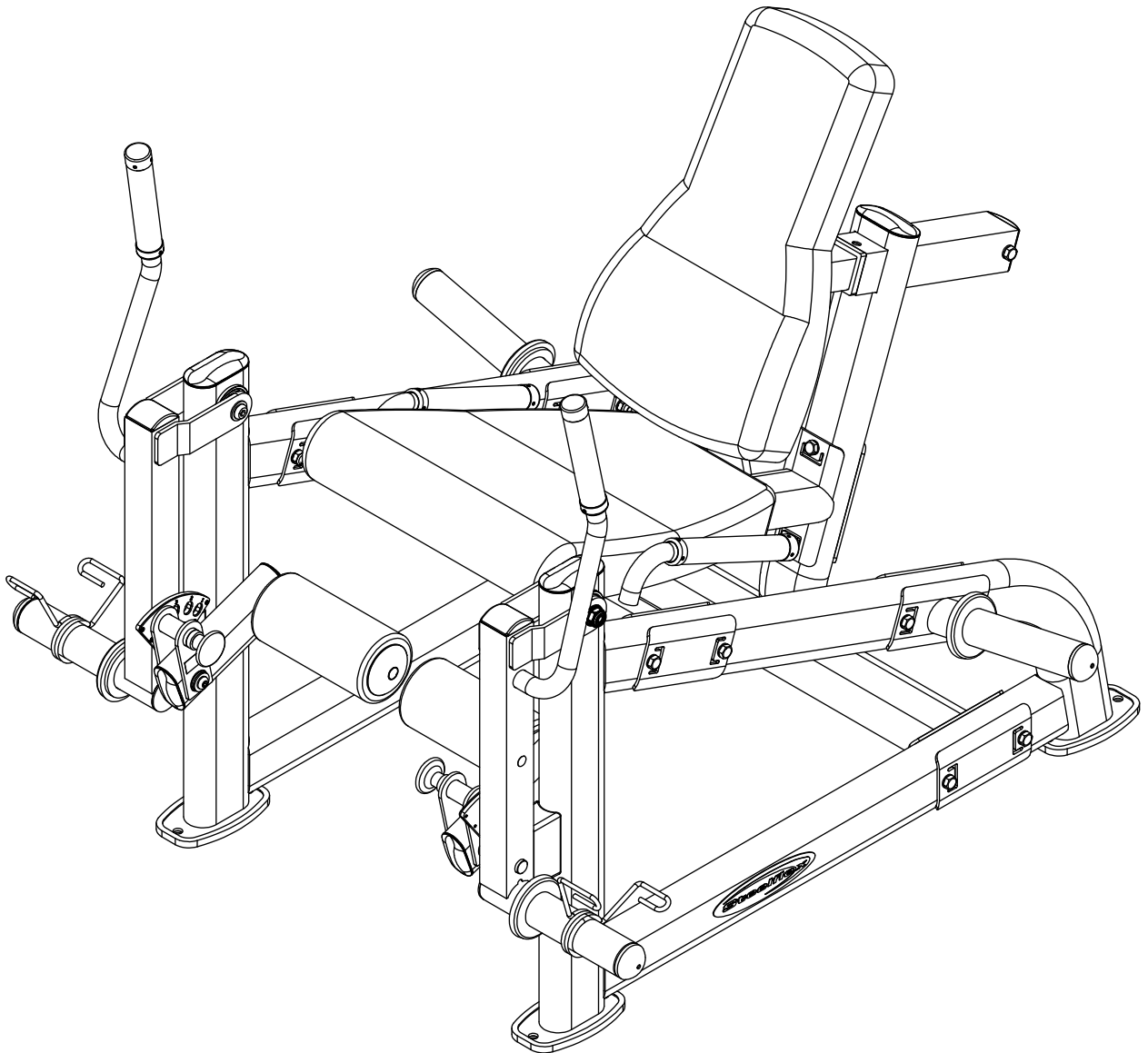


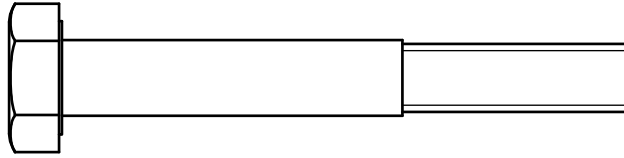
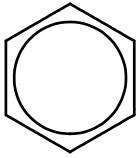
*PLLE.6*



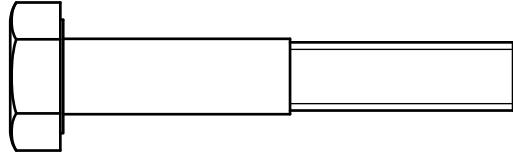
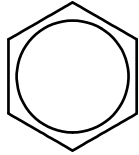
Assembly & Instructions  
**OWNER'S & MANUAL**

# PLLE.6 HARDWARE

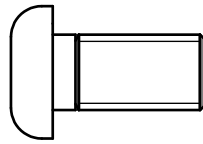
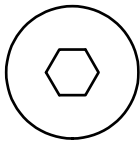
(shown in actual size)



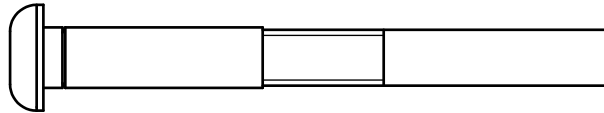
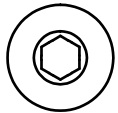
A1. M10x75 HEX HEAD SCREW...15PCS



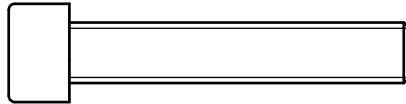
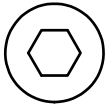
A2. M10x60 HEX HEAD SCREW...1PCS (Pre-installed)



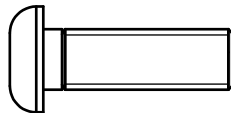
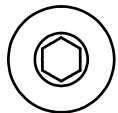
A3. M10x20 ALLEN SCREW(FULL THREAD)...2PCS(Pre-installed)



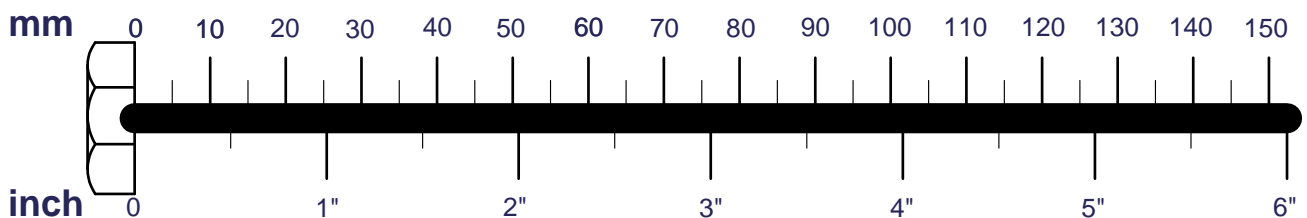
A4. M8x75 ALLEN SCREW(FULL THREAD)...3PCS



A5. M8x45 SOCKET SCREW(FULL THREAD)...4PCS



A6. M8x25 ALLEN SCREW(FULL THREAD)...4PCS

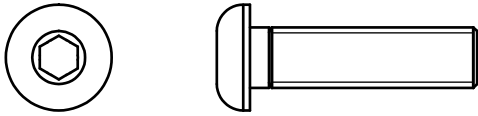


# PLLE.6 HARDWARE

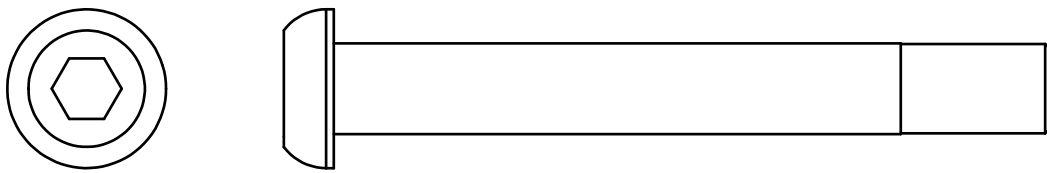
(shown in actual size)



A8. M5x5 GRUB SCREW...16PCS (Pre-installed)



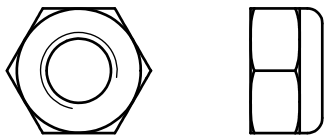
A9. M8X30 ALLEN SCREW(FULL THREAD)...2PCS



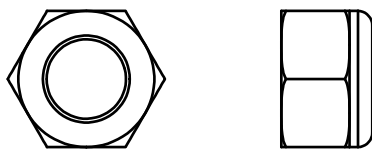
A11. M12x95 ALLEN SCREW(FULL THREAD)...2PCS



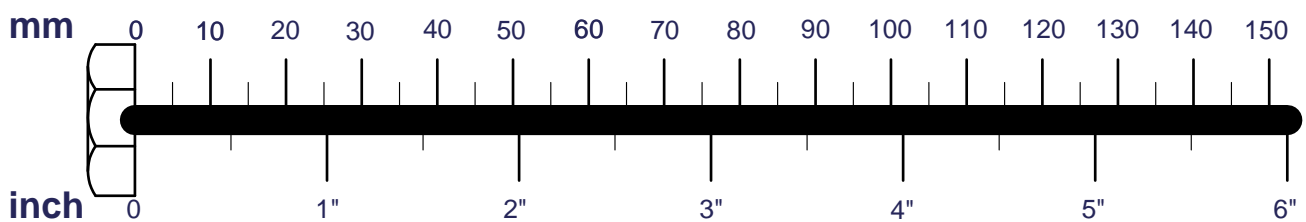
A12. M3X8L TAPERDE CROSS SCREW...8PCS (Pre-installed)



B1. M10 NYLON LOCK NUT...16PCS (Pre-installed 1PCS)

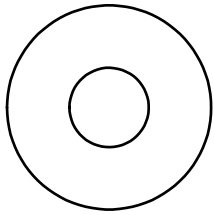


B2. M12 NYLON LOCK NUT...2PCS

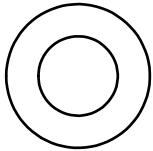


# PLLE.6 HARDWARE

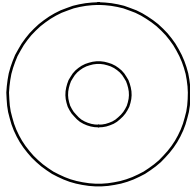
(shown in actual size)



C1. M10 WASHER(Ø27)...2PCS(Pre-installed)



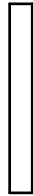
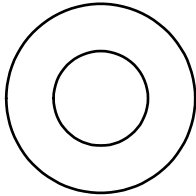
C2. M10 WASHER(Ø19)...30PCS



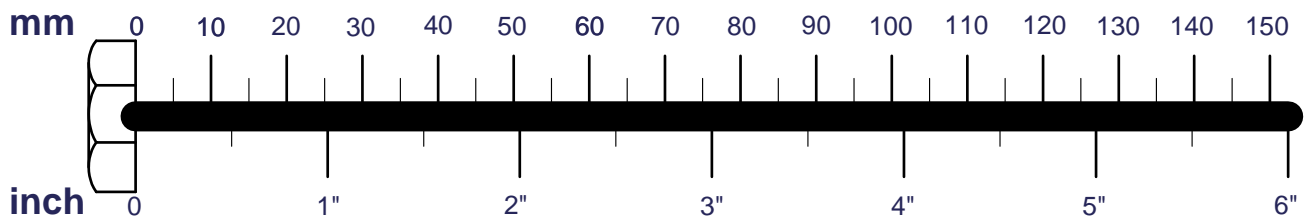
C4. M8 WASHER(Ø24)...7PCS



C5. M8 SPRING WASHER...9PCS

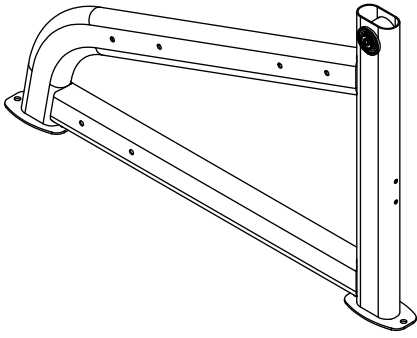


C6. M12 WASHER(Ø25)...4PCS

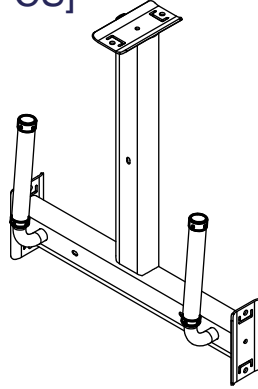


# PLLE.6 PARTS

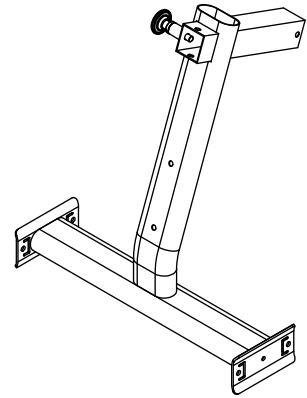
A [2PCS]



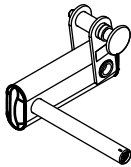
B [1PCS]



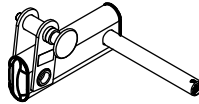
C [1PCS]



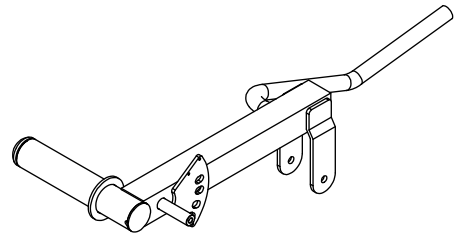
E [1PCS]



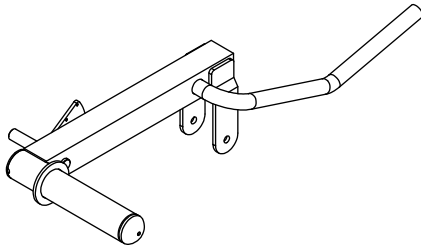
H [1PCS]



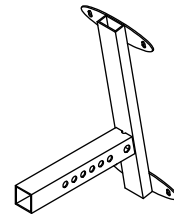
F [1PCS]



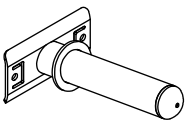
I [1PCS]



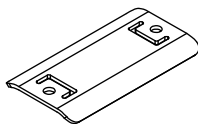
K [1PCS]



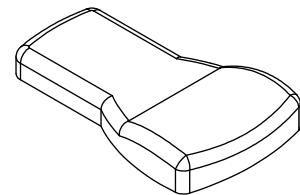
M [2PCS]  
6730002



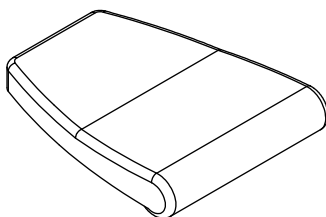
G [7PCS]  
8323234



Q [1PCS]  
9111072



P [1PCS]  
9121077



N [1PCS]  
8830023(Pre-installed)



## PLLE.6 PARTS

D1. Co er Washer (8520-007) .....	[2PCS]
D2. Chrome collar (8890-061) (Pre-installed).....	[4PCS]
D4. End cap (9211-016) .....	[2PCS]
D6. End cap (9211-086) .....	[2PCS]
D7. 50X50 End cap (9211-087) .....	[2PCS]
D8. End cap (9211-092) .....	[1PCS]
D9. 40x80 End Cap (9211-192) (Pre-installed).....	[4PCS]
D10. 50x100 END CAP (9211-193) .....	[3PCS]
D11. Nylon washer (9214-008) .....	[2PCS]
D12. Rubber Insert (9310-016) .....	[4PCS]
D13. Rubber Insert (9310-076) .....	[4PCS]
D14. Rubber Insert (9310-078).....	[2PCS]
D15. Pinch Cock (OC-06) .....	[2PCS]
D17. Bearing (8510-037) (Pre-installed).....	[4PCS]
D18. Nylon bushing (9211-047) .....	[1PCS]
D19.Foam(9161-076) .....	[2PCS]

D1



D2



D4



D6



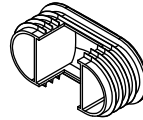
D7



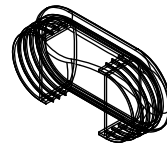
D8



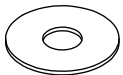
D9



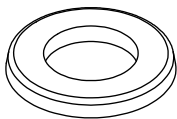
D10



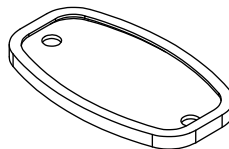
D11



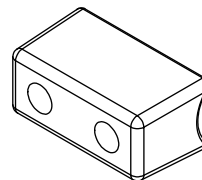
D12



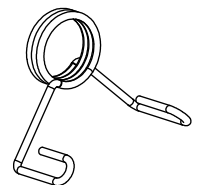
D13



D14



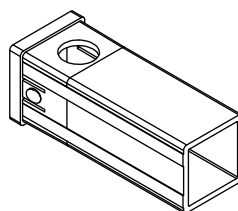
D15



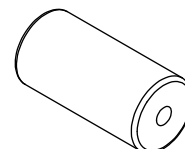
D17



D18



D19



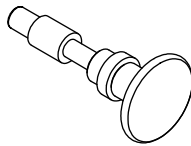
# PLLE.6 PARTS

D20. End closure (8130-253) (Pre-installed).....	[4PCS]
D23. Flat head pop pin (8250-122G) (Pre-installed).....	[2PCS]
D24. Flat head pop pin (8250-065G) (Pre-installed).....	[1PCS]
D25. Copper sheath (8520-003) (Pre-installed).....	[4PCS]
D29. Impregnated with handle (9162-163) (Pre-installed).....	[2PCS]
D30. Impregnated with handle (9162-147) (Pre-installed).....	[2PCS]
D31. End cover (9211-157) .....	[2PCS]
D32. Pulley spacer (8530-009) (Pre-installed).....	[2PCS]
D34. Pulley spacer (8110-079).....	[2PCS]
D35. Sheath (8120-128) (Pre-installed).....	[4PCS]
D36. Adjust the disc(8343-328)(Pre-installed).....	[1PCS]
D37. Adjust the disc(8343-336)(Pre-installed).....	[1PCS]

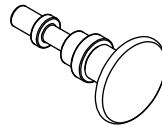
D20



D23



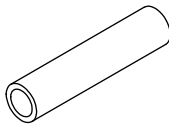
D24



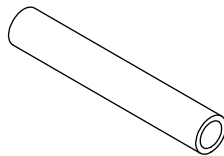
D25



D29



D30



D31



D32



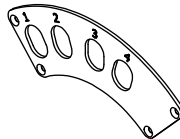
D34



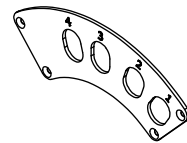
D35

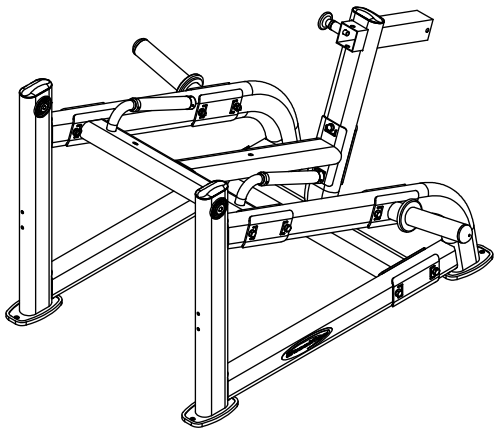


D36

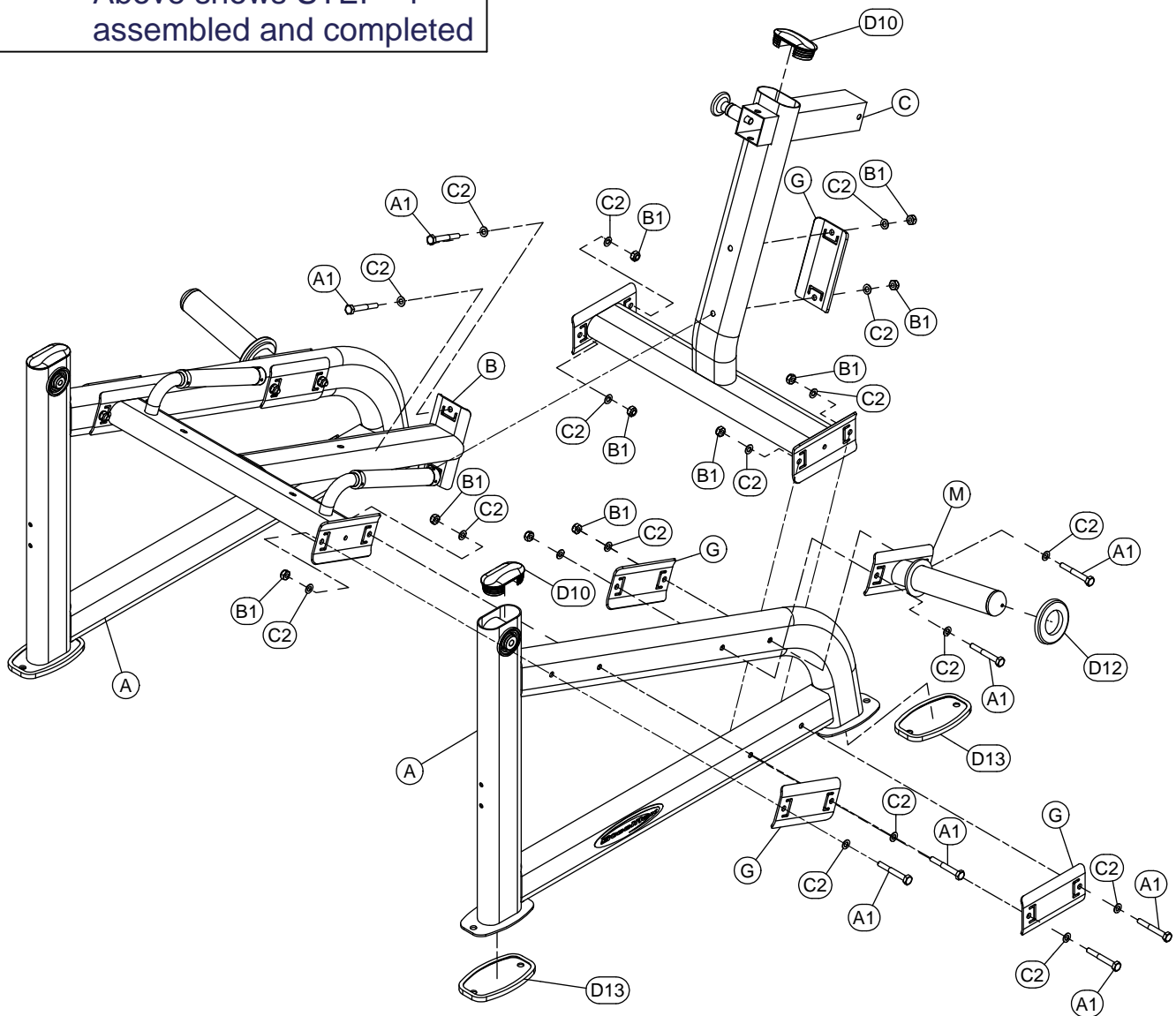


D37

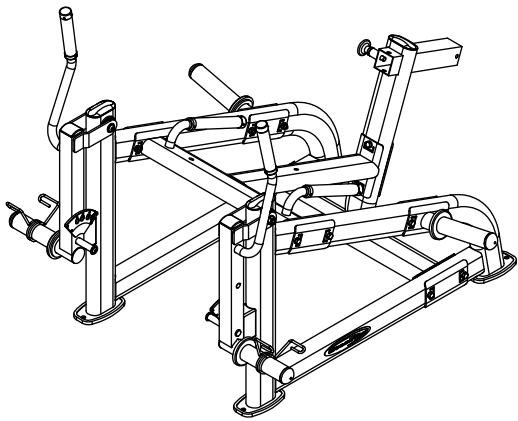




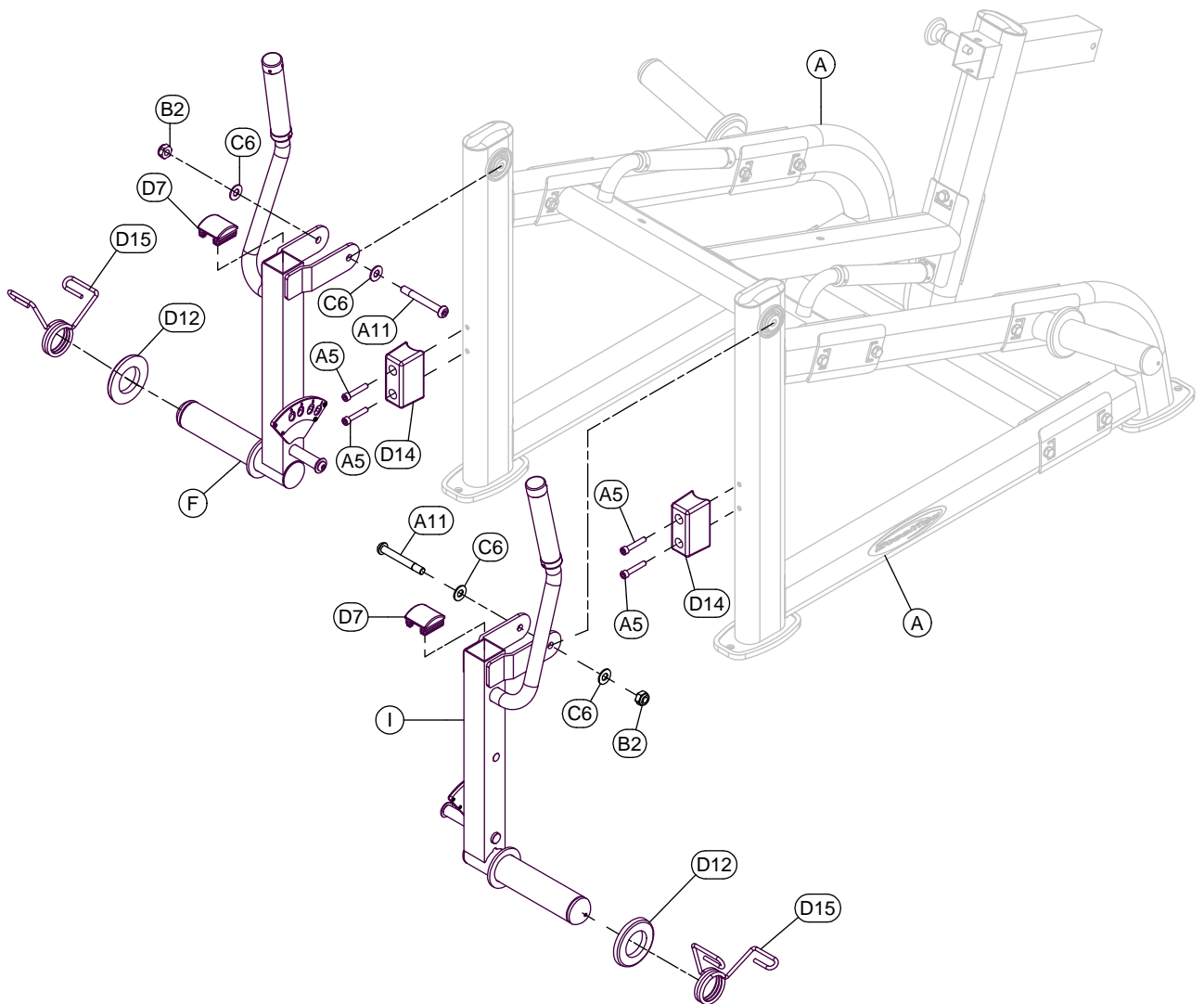
Above shows STEP 1 assembled and completed

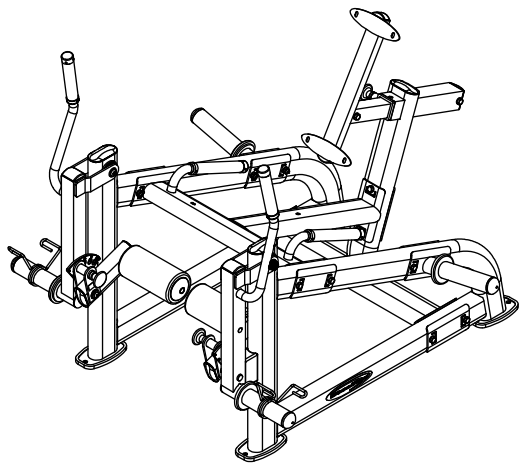




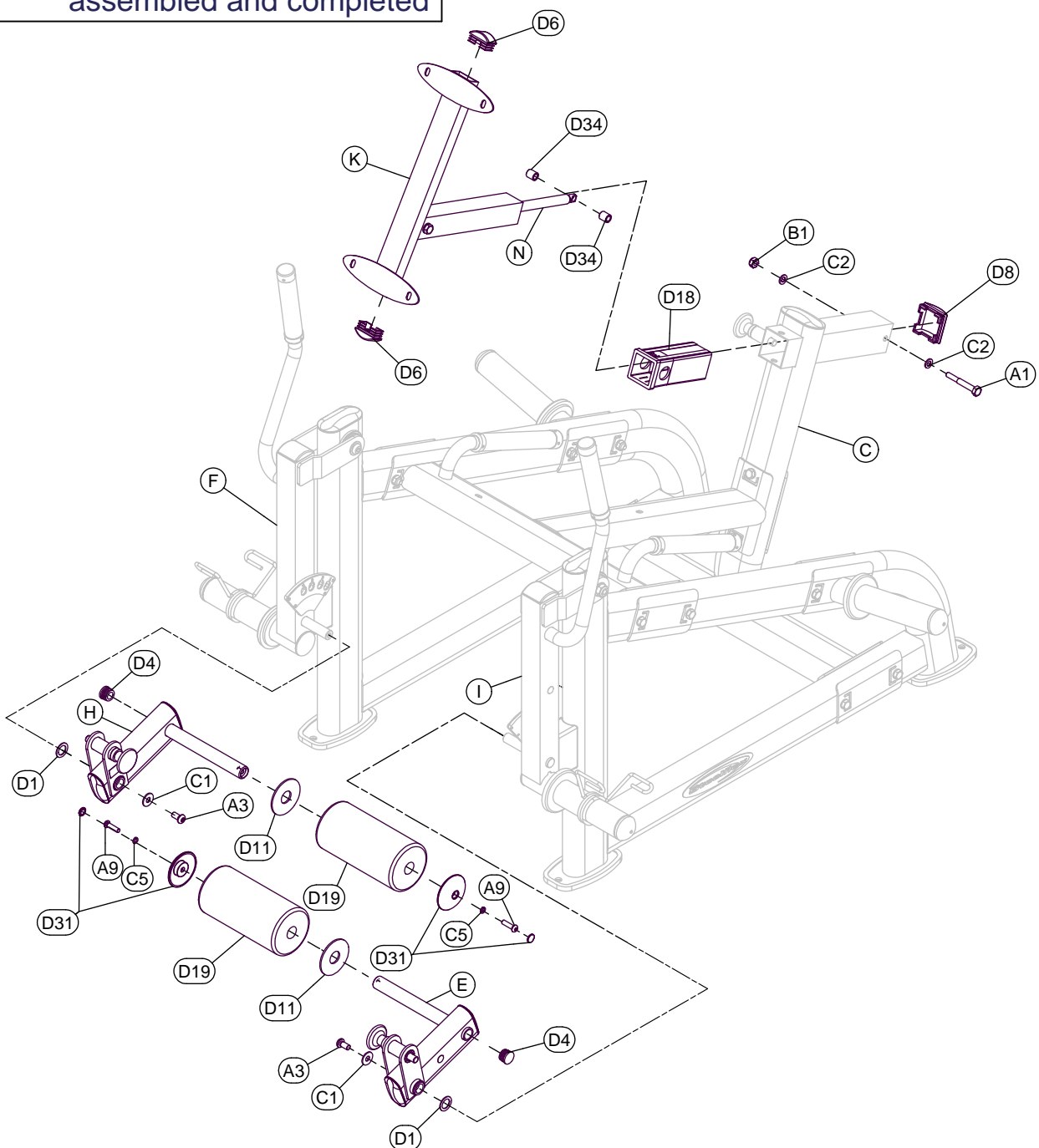


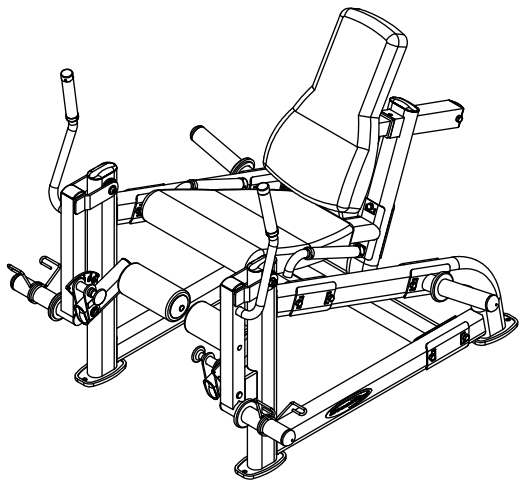
Above shows STEP 2  
assembled and completed



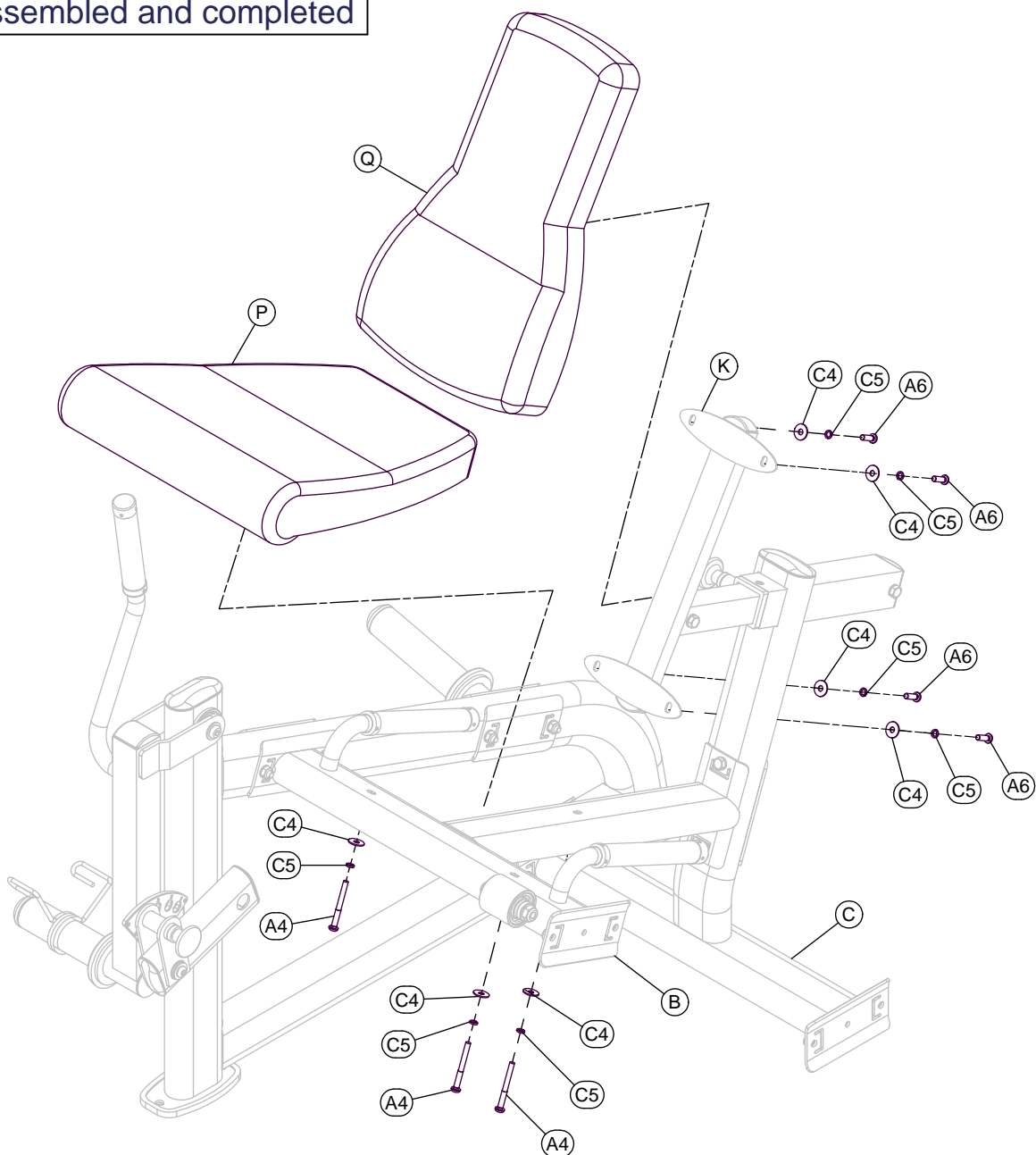


Above shows STEP 3 assembled and completed



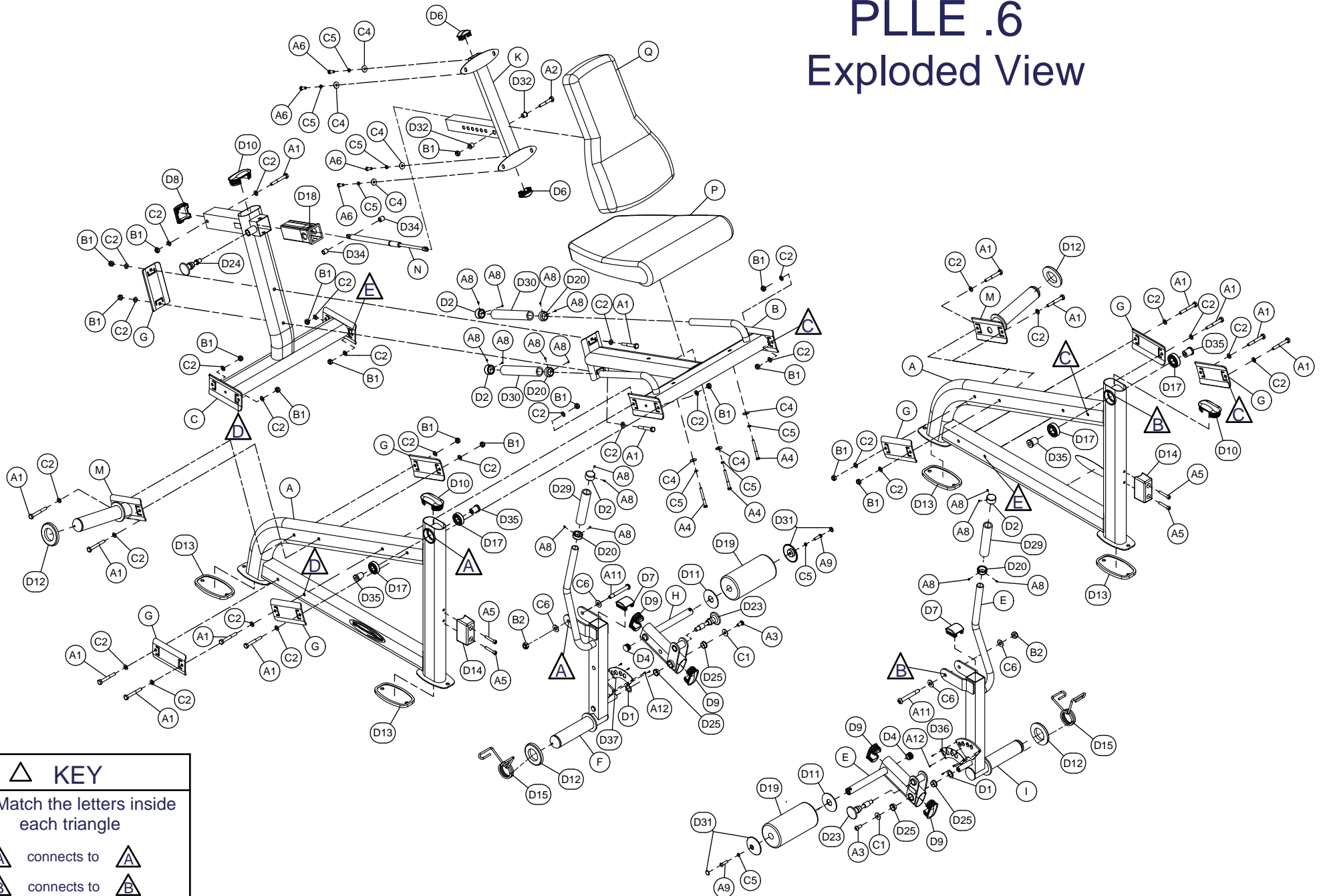


Above shows STEP 4 assembled and completed



# PLLE .6

## Exploded View



### △ KEY

Match the letters inside each triangle

- |     |             |     |
|-----|-------------|-----|
| △ A | connects to | △ A |
| △ B | connects to | △ B |
| △ C | connects to | △ C |