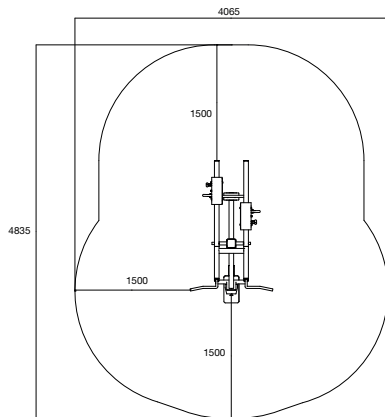
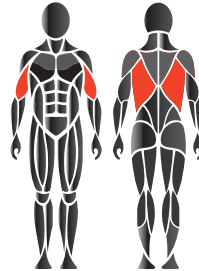


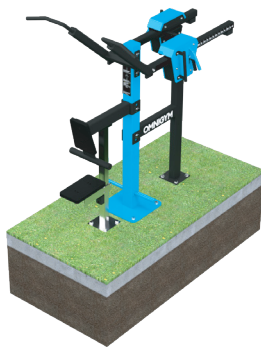
### Use and movement areas



### Target muscles



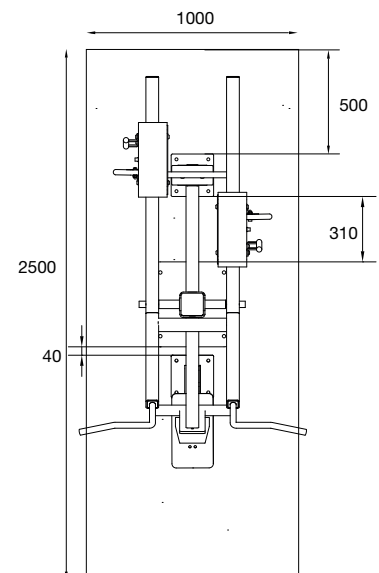
### Foundation



1. For example artificial turf or moldable safety platform max. 20 mm
2. Concrete min. 120 mm below equipments
3. Ground frost insulation, thickness based on the ground

### Concrete casting and positioning

- Length 2500 mm  
Width 1000 mm  
Thickness 120-150 mm
- Ground frost insulation
  - Rebaring
  - Adequate drying time must be ensured



### Product specification

Length	1845 mm
Width	1070 mm
Height	1820 mm
Equipment weight	207,7 kg (1 x weight unit) 251 kg (2 x weight unit)
User height	+ 140 cm
Age	+ 14
Safety area	15,7 m <sup>2</sup>
Base	surface mounting to concrete
Standard	EN16630
Country of manufacture	Finland
Metal parts	steel
Tube strengths	3-6 mm
Coating solution	Zink and powder coating

### Details

- Adjustable loading
- Maintenance-free polymer bearings
- 10-50 kg (1 x weight unit)
- 20-100 kg (2 x weight units)
- The product comes in RAL Classic colour 5012 (blue) as standard. RAL Classic colours 1017 (yellow), 3020 (red), 6018 (green) and 7036 (grey) are available at an additional cost.

### Important

Installation depth for all Omnigym® units: top surface of the concrete base on the ground level or max. -20 mm allowance for the surface material to be used. (See foundation figure)

