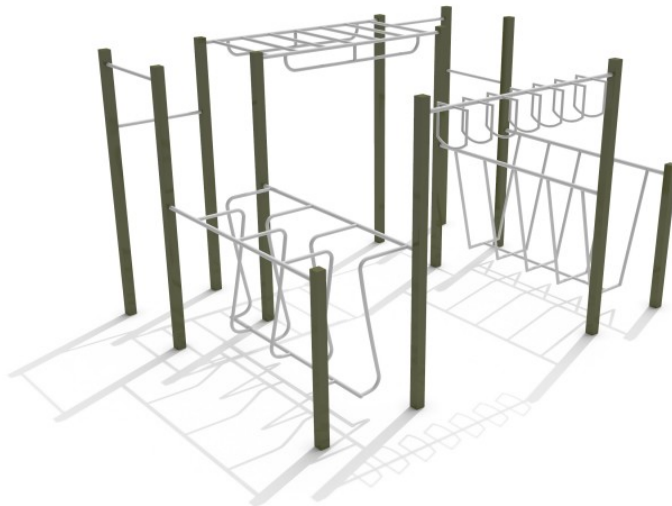
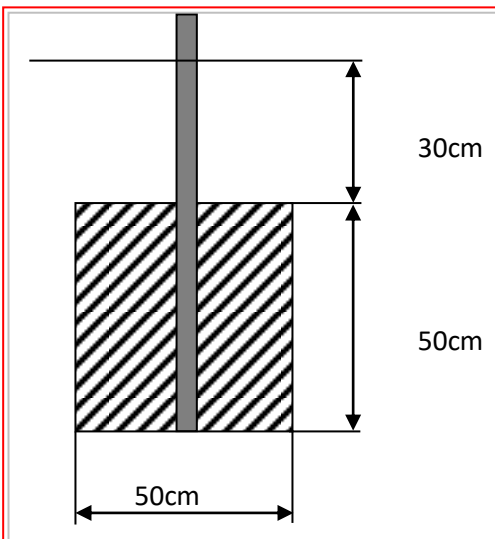
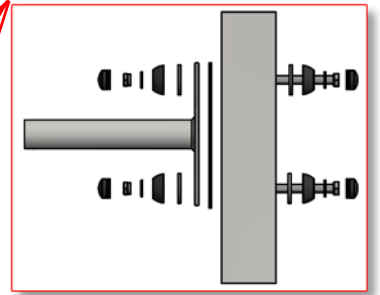
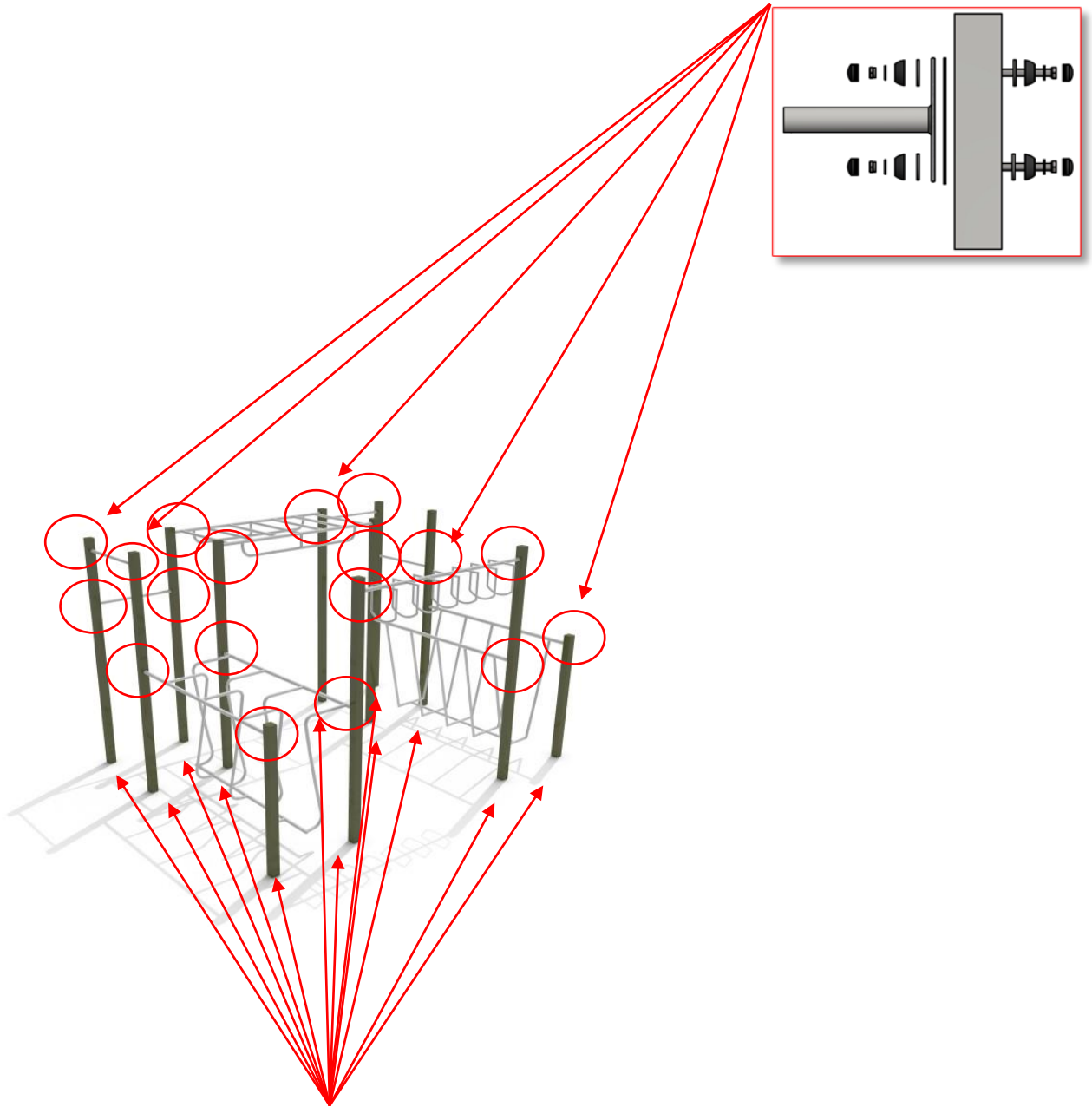


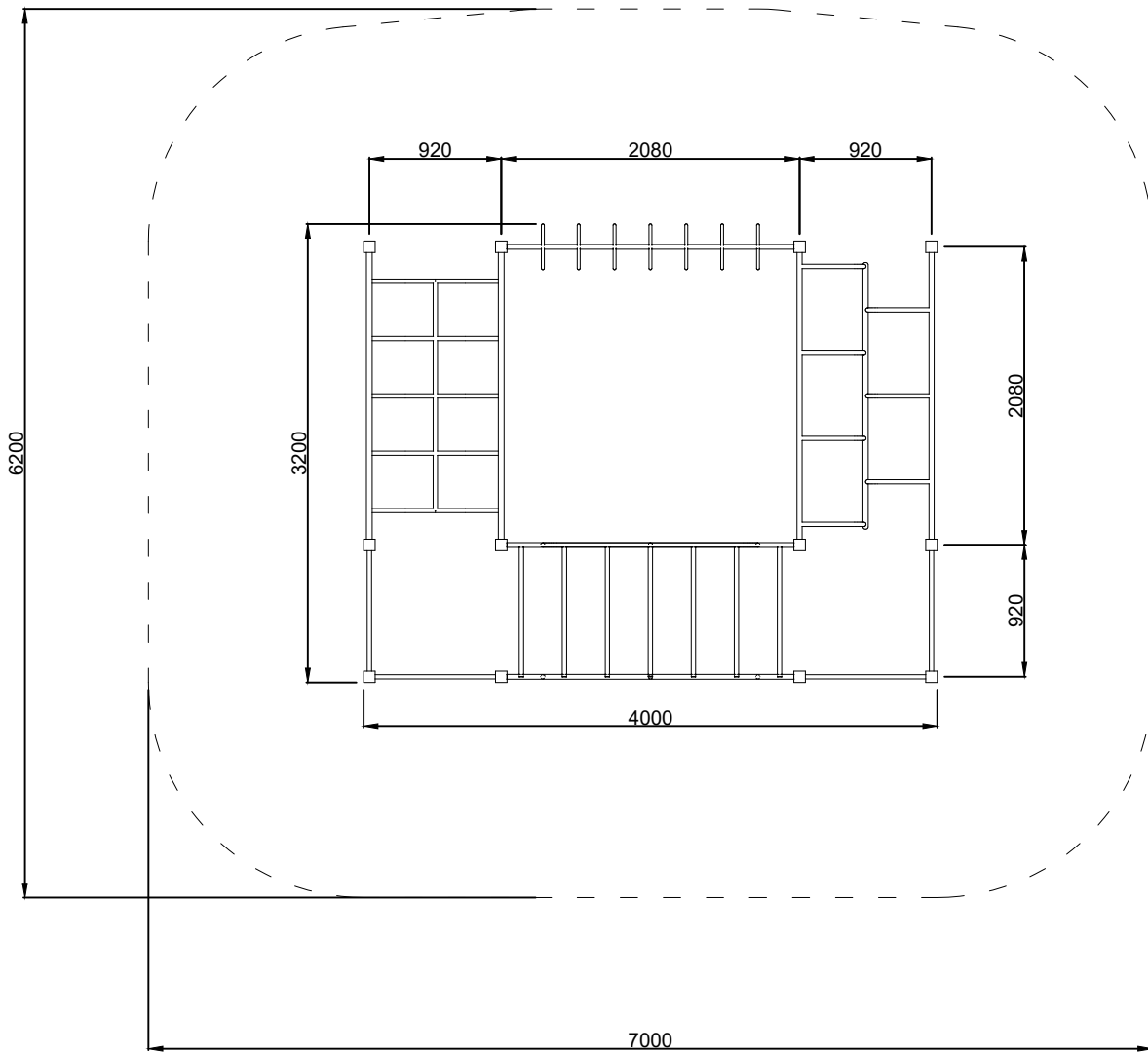
# INSTALLATION GUIDE

## STREET WORKOUT 12

Code: KS-SW-30







--- SAFETY AREA (40,98m<sup>2</sup>)

SCALE

1:50